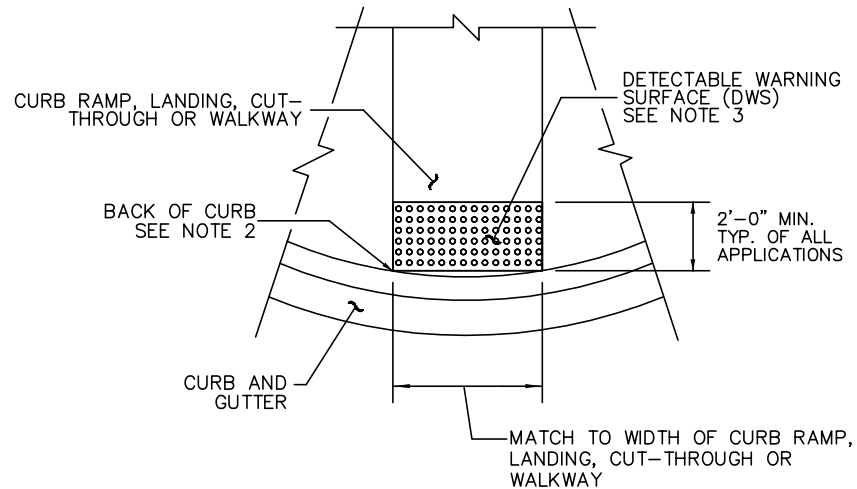


DETECTABLE WARNING SURFACE NOTES

1. THE DETECTABLE WARNING SURFACE (DWS) SHALL EXTEND THE FULL WIDTH OF THE CURB RAMP, LANDING, OR OTHER ROADWAY ENTRANCE AS APPLICABLE. EXCEPTION: IF THE MANUFACTURER OF THE DWS REQUIRES A CONCRETE BORDER AROUND THE DWS, A VARIANCE OF UP TO 2 INCHES ON EACH SIDE OF THE DWS IS PERMITTED.
2. THE DETECTABLE WARNING SURFACE (DWS) SHALL BE PLACED AT THE BACK OF CURB, WITH TWO LEADING CORNERS OF THE DWS PANEL PLACED ADJACENT TO THE BACK OF THE CURB, AND WITH NO MORE THAN A 2 INCH GAP BETWEEN THE DWS AND THE BACK OF THE CURB MEASURED AT THE CENTER OF THE DWS PANEL. EXCEPTION: IF THE MANUFACTURER REQUIRES A CONCRETE BORDER AROUND THE DWS, A VARIANCE OF UP TO 2 INCHES FROM THE BACK OF THE CURB IS PERMITTED (MEASURED AT THE LEADING CORNERS OF THE DWS PANEL).
3. THE ROWS OF TRUNCATED DOMES SHALL BE ALIGNED TO BE PERPENDICULAR TO THE GRADE BREAK AT THE BACK OF THE CURB.
4. THE ROWS OF TRUNCATED DOMES SHALL BE ALIGNED TO BE PARALLEL TO THE DIRECTION OF TRAVEL.
5. IF CURB AND GUTTER ARE NOT PRESENT, SUCH AS A SHARED-USE PATH CONNECTION, THE DETECTABLE WARNING SURFACE SHALL BE PLACED AT THE PAVEMENT EDGE.
6. WHEN THE GRADE BREAK BETWEEN THE CURB RAMP AND THE LANDING IS LESS THAN OR EQUAL TO 5 FT. FROM THE BACK OF THE CURB AT ALL POINTS, PLACE THE DETECTABLE WARNING SURFACE ON THE BOTTOM OF THE CURB RAMP DIRECTLY ABOVE THE GRADE BREAK.
7. FOR NEW CONCRETE CONSTRUCTION, DETECTABLE WARNING SURFACE MATERIAL SHALL BE "CAST-IN-PLACE" BY ARMOR-TILE, ADA SOLUTIONS, OR ALERTTILE APPLIED INTEGRAL TO THE CONCRETE POURING OF THE RAMP. FOR RETROFIT CONCRETE APPLICATIONS, DETECTABLE WARNING MATERIAL SHALL BE "SURFACE APPLIED" BY ARMOR-TILE, ADA SOLUTIONS, OR ALERTTILE. FOR ASPHALT APPLICATIONS, "TOPMARK" BY FLINT TRADING MAY BE USED OR CONSULT THE ENGINEER FOR ALLOWABLE OPTIONS. NO SUBSTITUTIONS WILL BE PERMITTED WITHOUT PRIOR WRITTEN APPROVAL BY THE ENGINEER. DETECTABLE WARNINGS SHALL BE FEDERAL YELLOW. INSTALLATION SHALL CONFORM TO MANUFACTURER'S SPECIFICATIONS.



DETECTABLE WARNING SURFACE DETAIL



DETECTABLE WARNING SURFACE

DRAWING NUMBER	SW-250-1
SCALE	NONE
REVISION DATE	12/16
DEPARTMENT	TRANS