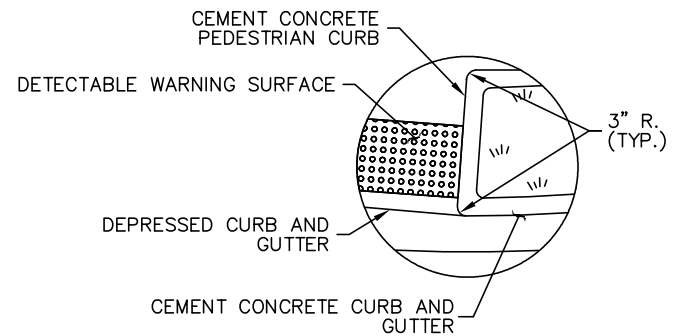
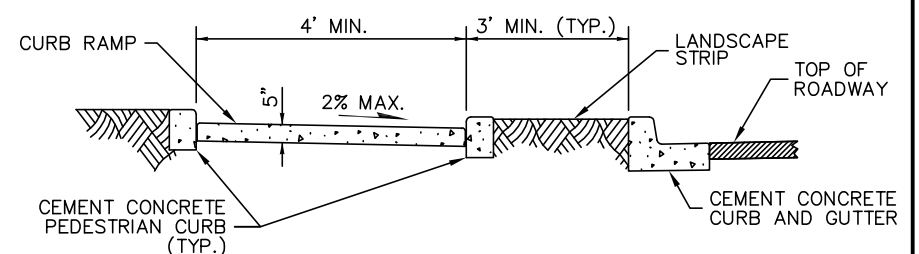


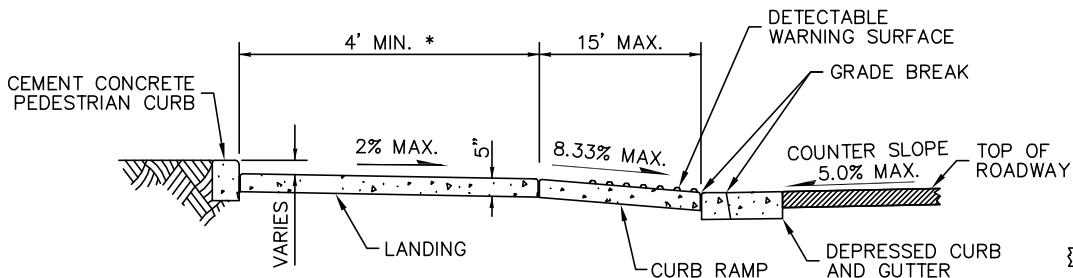
**CURB RAMP TYPE COMBINATION**



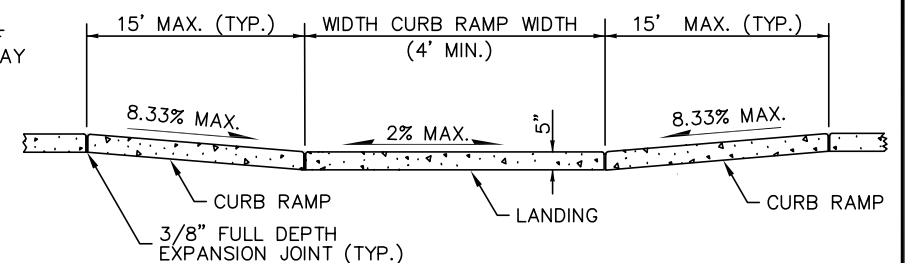
**DETAIL D**



**SECTION B-B**



**SECTION A-A**



**SECTION C-C**

NOTE: SEE SW-200-1 FOR CURB RAMP CONSTRUCTION NOTES.

\* 5' IF CONSTRAINED AT BACK OF LANDING (WALL, FENCE, RAILING, ETC).

\*\* MAY BE REDUCED TO A MINIMUM WIDTH OF NO LESS THAN 4' WITH PRIOR APPROVAL FROM THE ENGINEER.

LEGEND

↔ SLOPE IN EITHER DIRECTION



**COMBINATION CURB RAMP**

DRAWING NUMBER	SW-220-1
SCALE	NONE
REVISION DATE	12/16
DEPARTMENT	TRANS