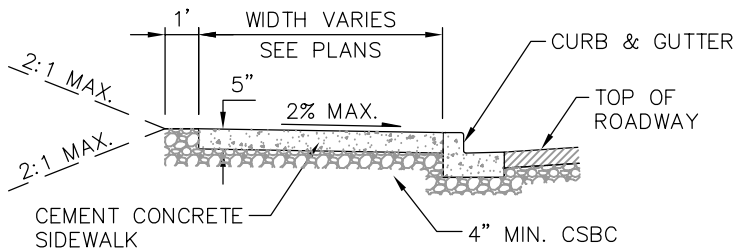
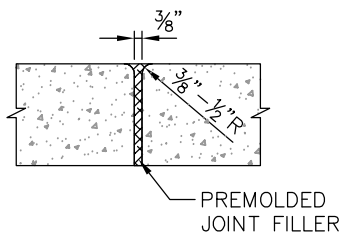


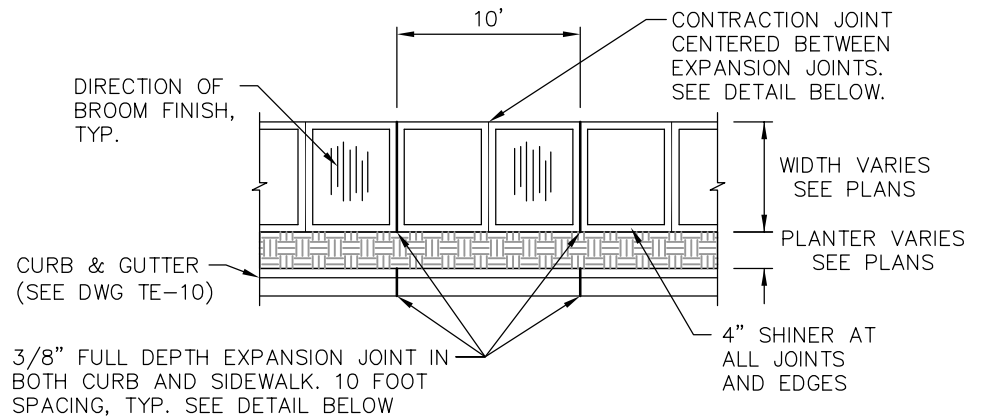
**PLAN - CURBSIDE SIDEWALK**



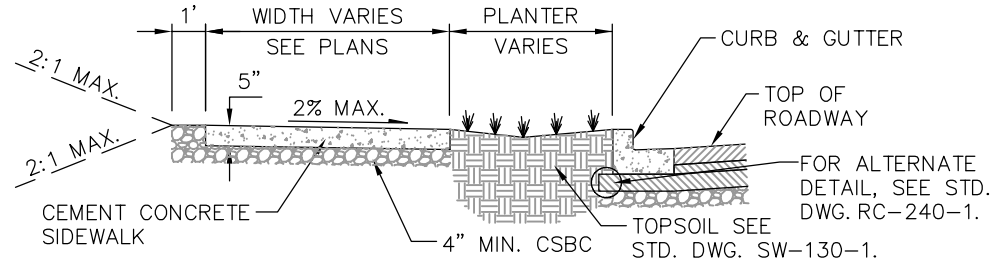
**SECTION - CURBSIDE SIDEWALK**



**FULL DEPTH EXPANSION JOINT DETAIL**



**PLAN - SIDEWALK WITH PLANTER STRIP**



**SECTION - SIDEWALK WITH PLANTER STRIP**

**NOTES:**

1. CONCRETE SHALL BE AIR ENTRAINED CLASS 3000 PER SECTION 6-02 OF WSDOT STANDARD SPECIFICATIONS.
2. FINISH: LIGHT FINISH WITH A STIFF BROOM PERPENDICULAR TO CURB. FOR GRADES OVER 4%, FINISH WITH A STIPPLE BRUSH.
3. REMOVAL/REPLACEMENT OF CEMENT CONCRETE CURB SHALL BE FROM EXPANSION JOINT TO EXPANSION JOINT UNLESS OTHERWISE DIRECTED BY THE ENGINEER.
4. LIDS FOR JUNCTION BOXES AND UTILITY VAULTS SHALL BE NON-SKID AS SPECIFIED BY THE ENGINEER.



City of Bellevue

SIDEWALK

DRAWING NUMBER	SW-110-1
SCALE	NONE
REVISION DATE	2/18
DEPARTMENT	TRANS