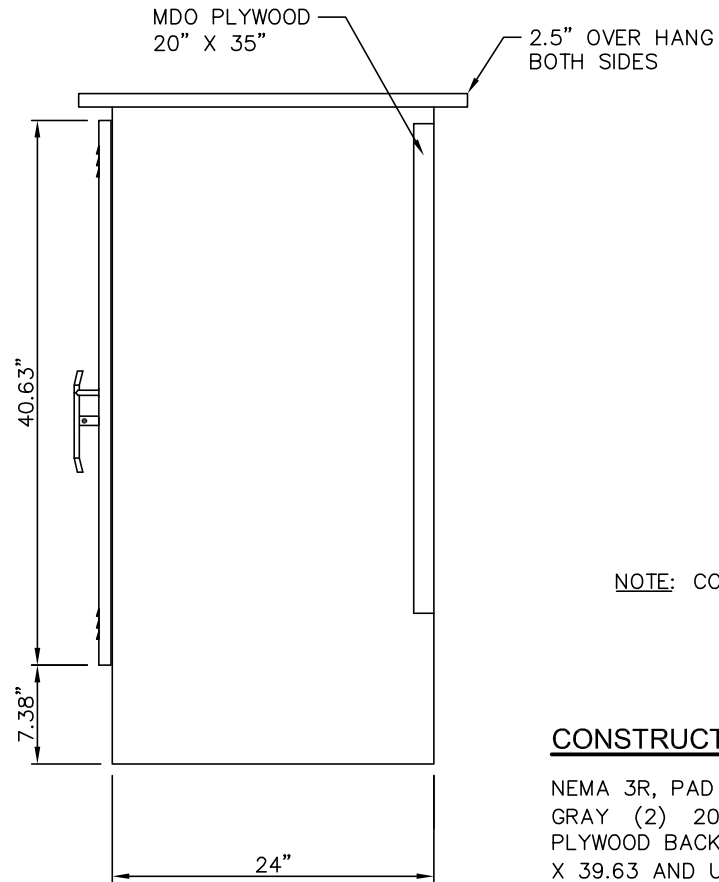
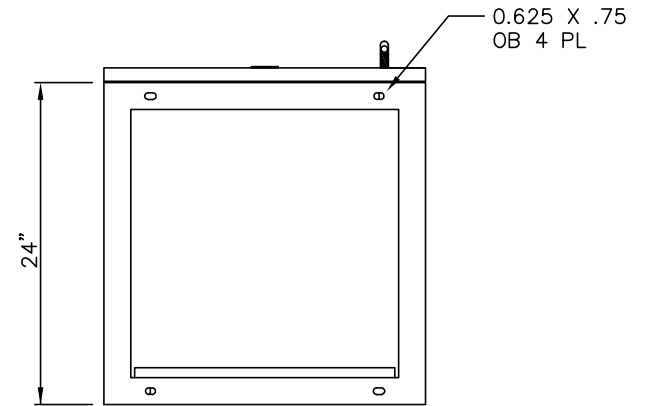


FRONT VIEW



SIDE VIEW



TOP VIEW

NOTE: CONTRACTOR TO VERIFY BOLT PATTERN WITH CABINET.

CONSTRUCTION NOTES:

NEMA 3R, PAD MOUNT, 1/8" ALUMINUM, POWDERCOATED ASA 61 GRAY (2) 20 X 35 X 1/2" MDO (MEDIUM DENSITY OVERLAID) PLYWOOD BACK BOARD. DOOR HAS AN APPROXIMATE OPENING OF 21 X 39.63 AND USES LIFT OFF CONCEALED HINGES WITH "BEST" LOCK ON DOOR AND 3 POINT LATCH SYSTEM, SEALED BY A CLOSED CELL NEOPRENE GASKET.



FIBER OPTIC CABINET

DRAWING NUMBER	SL-250-1
SCALE	NONE
REVISION DATE	12/16
DEPARTMENT	TRANS