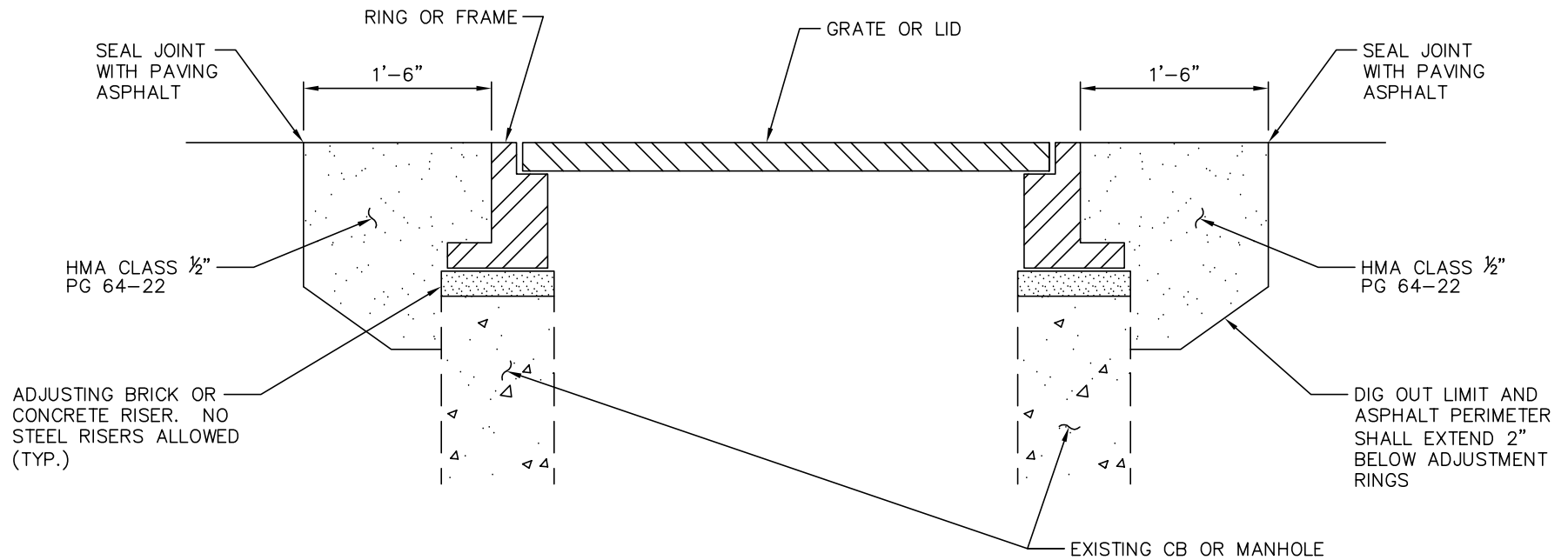


## UTILITY MANHOLE AND VAULT ADJUSTMENT

THE EXISTING IRON FRAME AND COVER OR GRATE SHALL BE REMOVED AND THOROUGHLY CLEANED FOR REINSTALLATION TO THE NEW ELEVATION. THE EXISTING STRUCTURE SHALL BE RAISED OR LOWERED TO THE REQUIRED ELEVATION USING CONCRETE BLOCKS, BRICK, AND/OR CONCRETE RINGS. EACH JOINT SHALL BE GROUTED USING A ¾ INCH LAYER OF NON-SHRINK MORTAR, PLASTERED SMOOTH INSIDE AND OUT. COVERS SHALL BE SEATED ON A UNIFORM LAYER OF GROUT TO PREVENT ROCKING.



### UTILITY ADJUSTMENT DETAIL

NTS



## UTILITY ADJUSTMENT DETAIL

DRAWING NUMBER	RC-250-1
SCALE	NONE
REVISION DATE	12/16
DEPARTMENT	TRANS