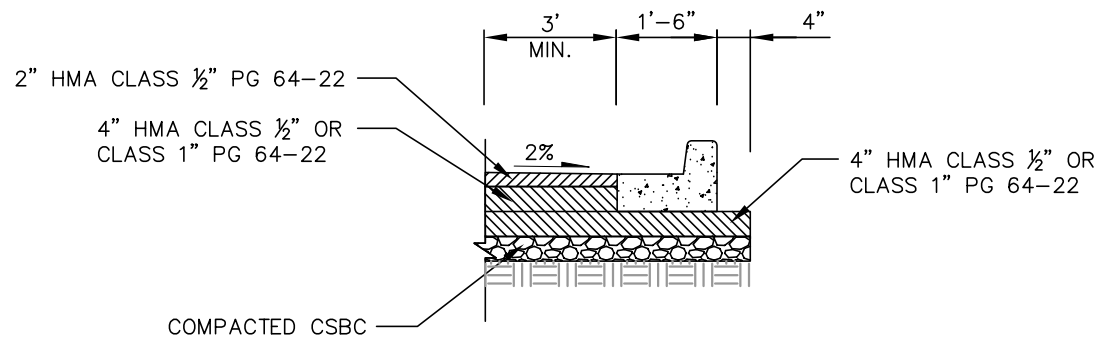


TYPICAL ASPHALT PAVEMENT DETAIL AT CURB/GUTTER INSTALLATION

NTS



ALTERNATE ASPHALT PAVEMENT DETAIL FOR CURB/GUTTER ADJACENT TO PLANTER STRIP OR NDP FEATURE

NTS

NOTES:

1. NO PLATE COMPACTION ALLOWED. COMPACTION BY ROLLER ONLY.
2. WIDTH OF SAWCUT FROM GUTTER LINE OR CURB FACE MAY BE INCREASED AT THE DISCRETION OF THE ENGINEER.



TYPICAL ASPHALT PAVEMENT DETAILS AT CURB AND GUTTER INSTALLATION

DRAWING NUMBER	RC-240-1
SCALE	NONE
REVISION DATE	12/16
DEPARTMENT	TRANS