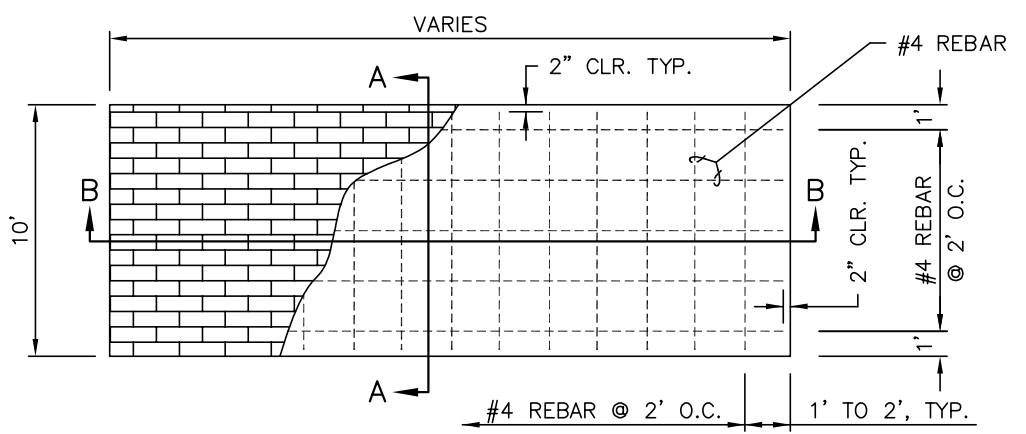
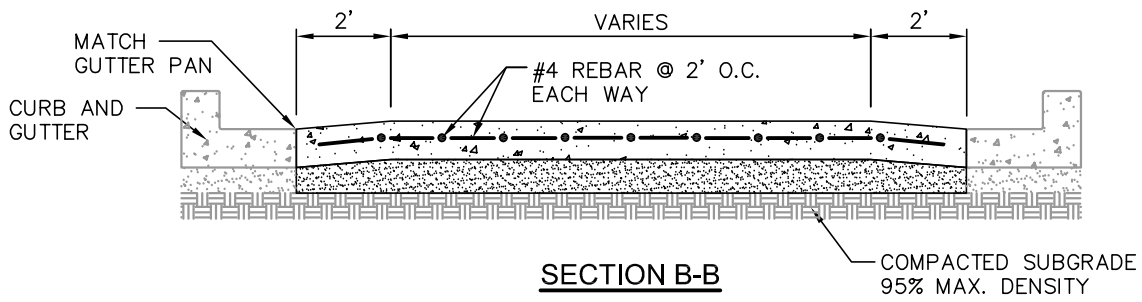
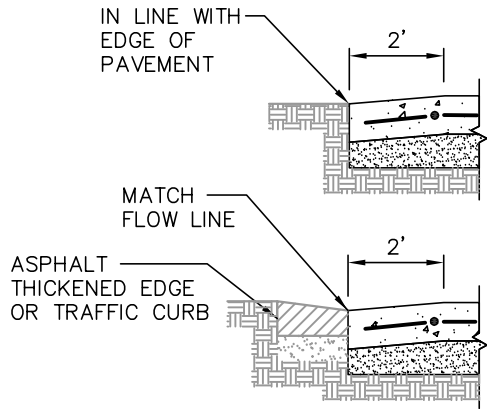


SECTION A-A



PLAN



SECTION B-B

NOTES:

1. MATERIAL SHALL BE PATTERNED, COLORED CONCRETE WITH COLOR INTEGRAL TO THE CONCRETE.
2. COLOR AND PATTERN TO BE AS SPECIFIED ON THE PLANS.



PATTERNED CONCRETE ENTRY TREATMENT

DRAWING NUMBER	RC-160-1
SCALE	NONE
REVISION DATE	12/16
DEPARTMENT	TRANS