

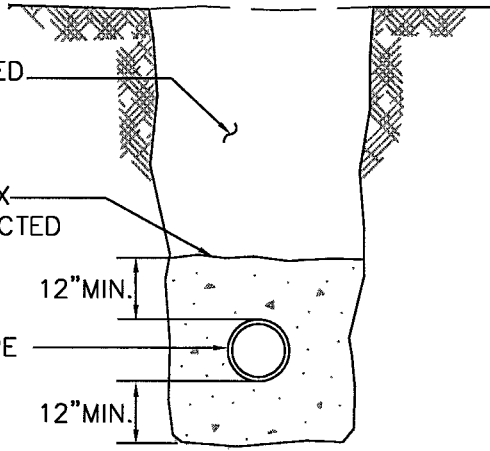
NATIVE BACKFILL COMPACTED  
TO DENSITY OF ADJACENT  
SOIL, PER STANDARDS.

SOIL-CEMENT MIX  
PLACED AS DIRECTED  
BY ENGINEER

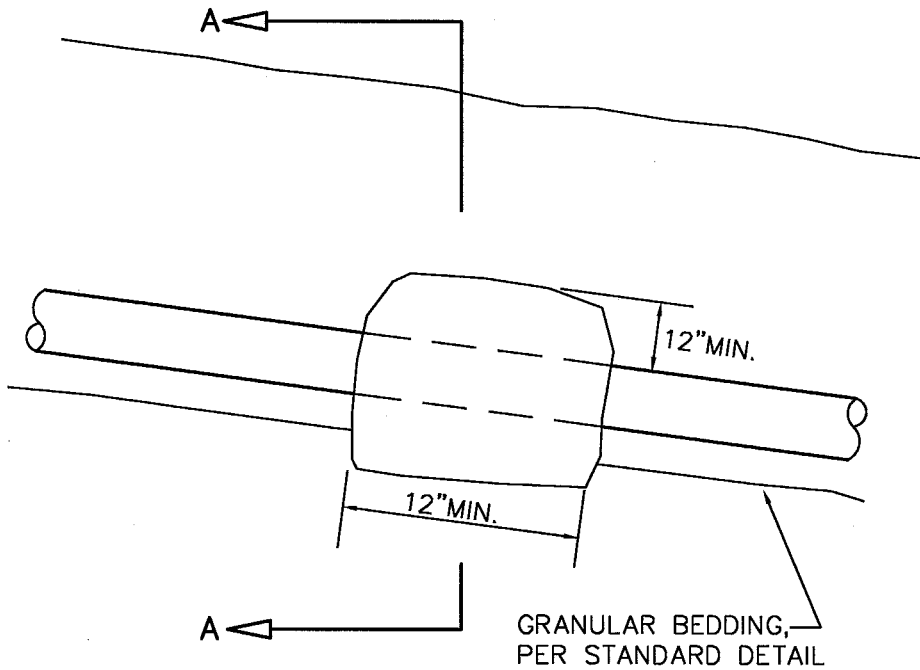
PIPE

12" MIN.

12" MIN.



**SECTION A-A**



GRANULAR BEDDING,  
PER STANDARD DETAIL

**NOTE:**

SOIL CEMENT BLOCKS PLACED OVER AND AROUND PIPE. TAMPED INTO PLACE BEFORE PLACING BACKFILL. USE 10% CEMENT WITH 90% NATIVE SOIL AND WATER TO SUIT TO FORM A DRY MIX THAT WILL HOLD ITS SHAPE WHEN MOLDED INTO A BALL. SOIL CEMENT BLOCKS REQUIRED ON SLOPES 20% OR GREATER.



**City of  
Bellevue**

SURFACE WATER UTILITY

TITLE

SOIL/CEMENT PIPE ANCHOR