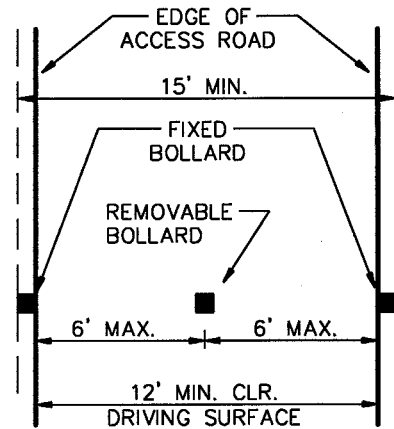
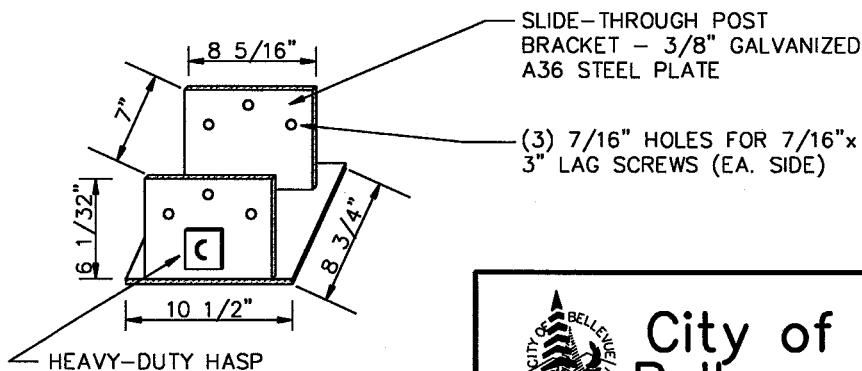
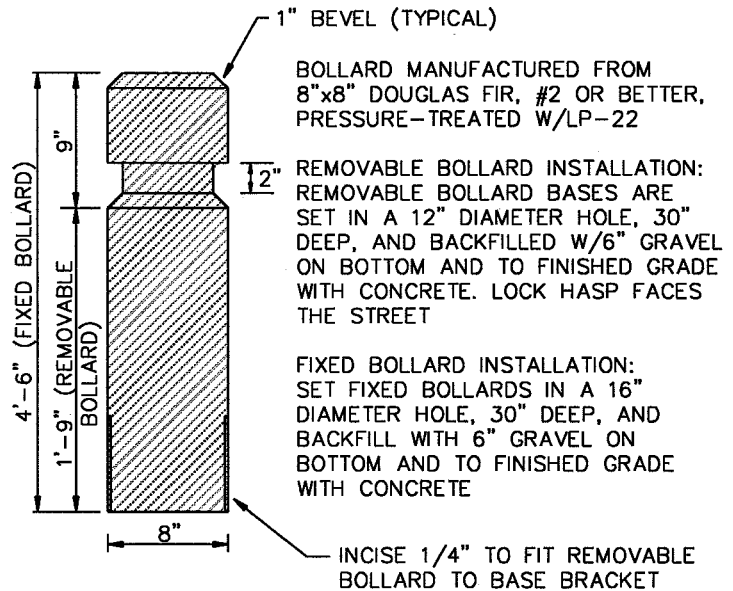
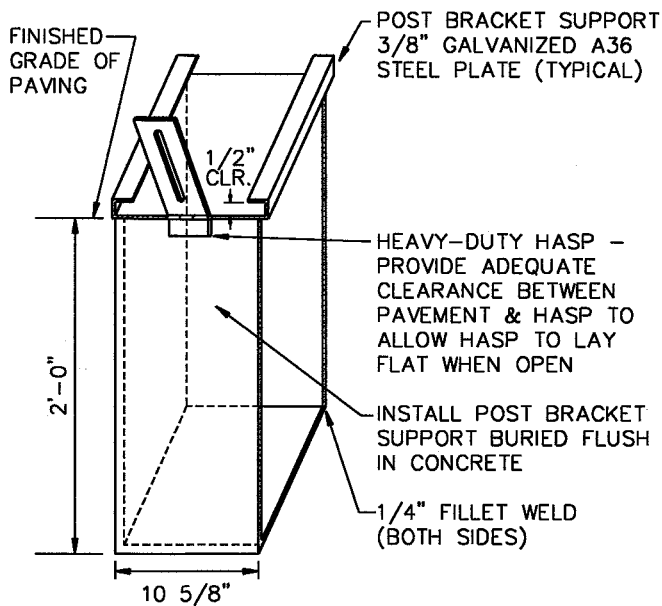


**GATE PLACEMENT**



**BOLLARD PLACEMENT**



**City of Bellevue**

SURFACE WATER UTILITY

TITLE

GATE/BOLLARD PLACEMENT