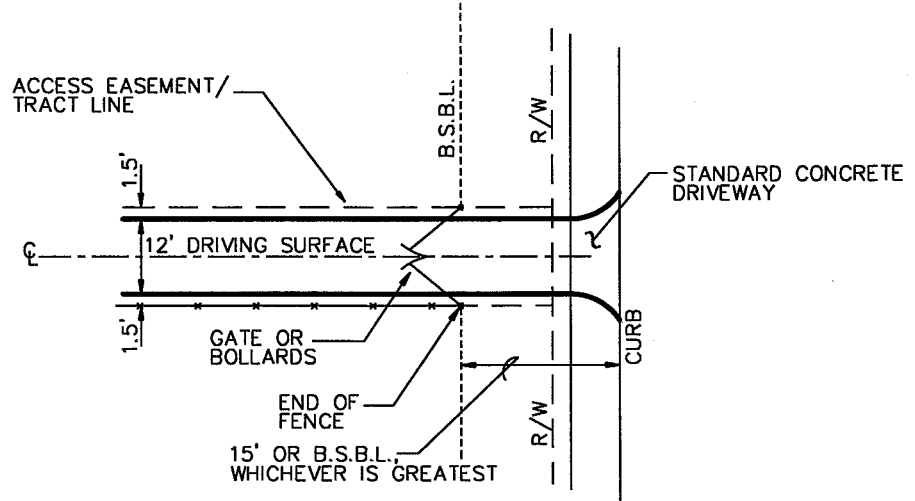
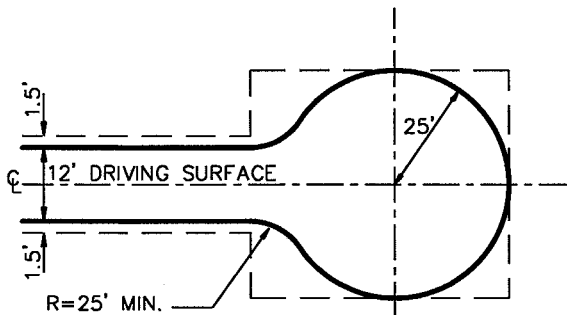


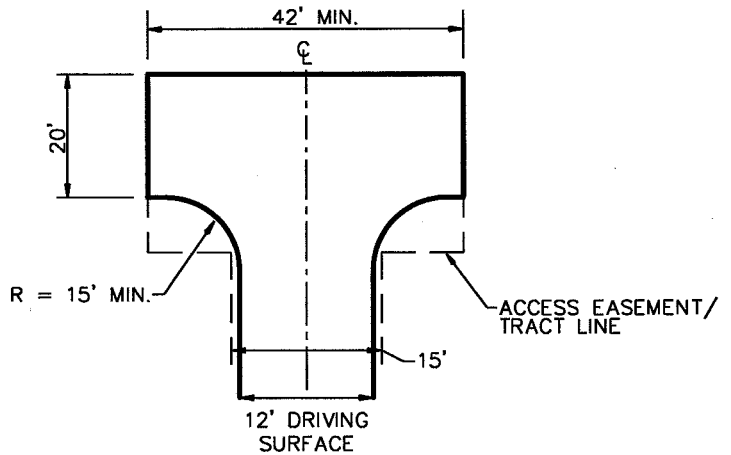
ACCESS EASEMENT/
TRACT LINE



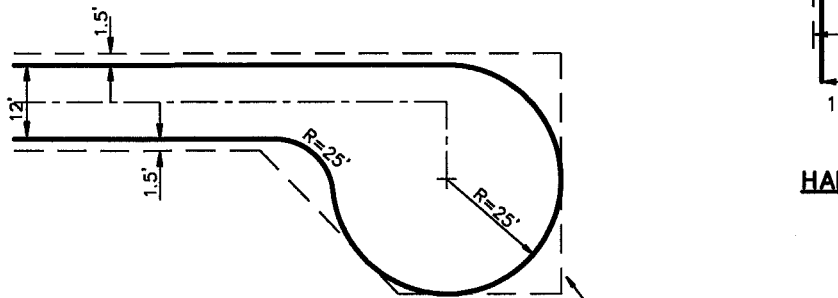
DRIVEWAY ENTRANCE



**TYPE "A"
TURNAROUND**



HAMMERHEAD



**TYPE "B"
TURNAROUND**



City of Bellevue

SURFACE WATER UTILITY

TITLE

MAINTENANCE ACCESS