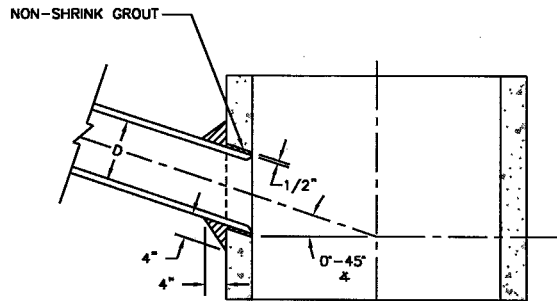


SECTION B-B



SECTION A-A

NOTES:

1. "D", THE INSIDE DIAM. OF THE INLET PIPE, SHALL BE 8" OR LESS. FOR LARGER VALUES OF "D", USE A MANHOLE OR CATCH BASIN.
2. IN NO CASE SHALL THE OUTSIDE DIAM. OF THE INLET PIPE EXCEED ONE-HALF THE INSIDE DIAM. OF THE MAIN STORM DRAIN PIPE.
3. C OF INLET PIPE SHALL BE ON RADIUS OF MAIN STORM DRAIN.
4. THE MIN. OPENING INTO THE EXISTING STORM DRAIN SHALL BE THE OUTSIDE DIAM. OF THE INLET PIPE PLUS 1 IN.
5. IF ϕ IS GREATER THAN 45° FIELD TAPPING IS NOT ALLOWED.
6. MAINLINE SHALL HAVE 12" MIN. DIAM.
7. FOR DISSIMILAR PIPES UP TO 24", CORE DRILL MAIN AND CONNECT WITH SADDLE TEE.



City of Bellevue

SURFACE WATER UTILITY

TITLE

FIELD-TAPPING OF CONCRETE PIPE