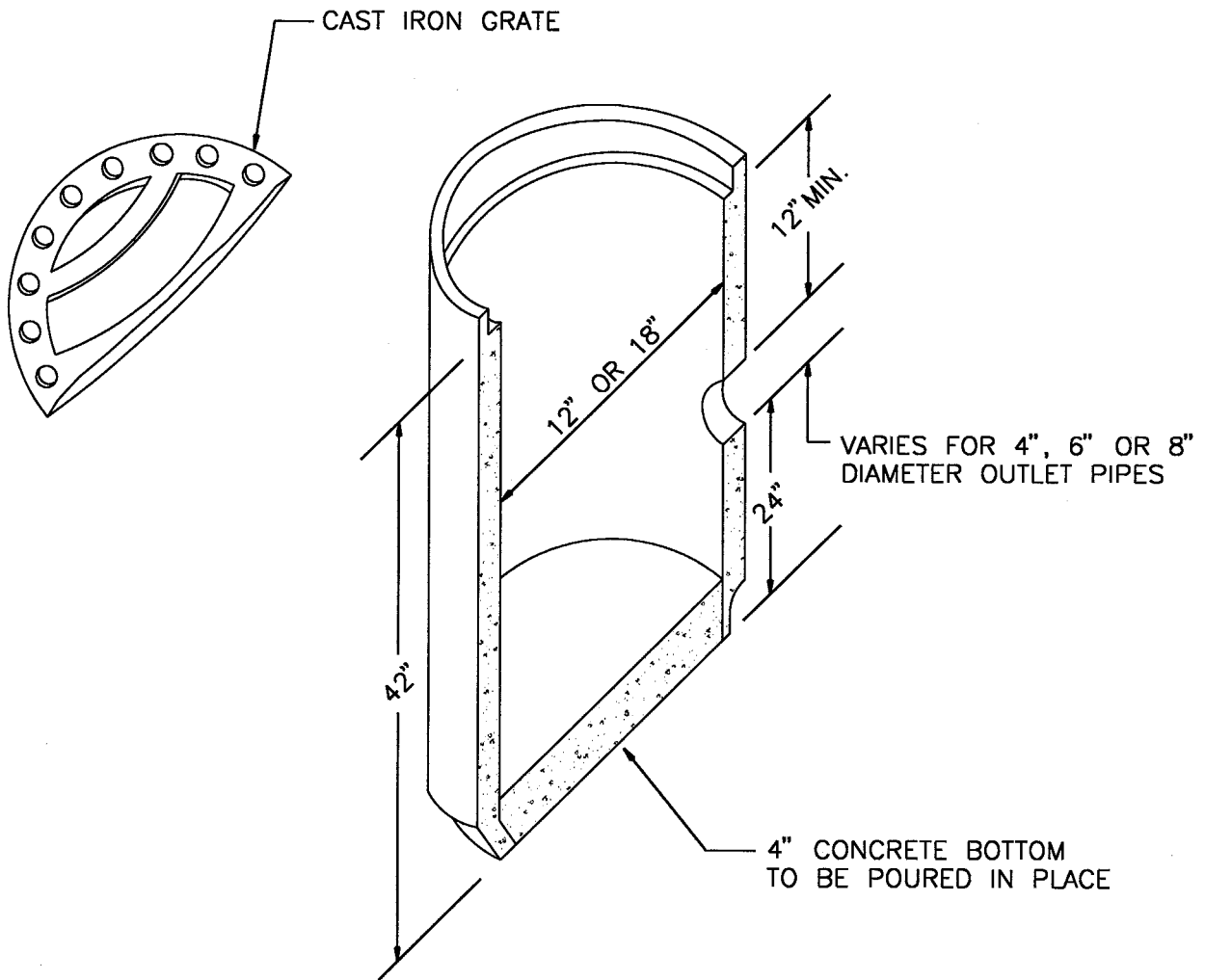


OUTLET PIPE DIAMETER	AREA INLET DIAMETER "I.D."	AVERAGE PIPE (lbs.)
4"	12"	450
6"	12"	450
8"	18"	650



NOTE

FOR USE IN NON-TRAFFIC AREAS ONLY



City of Bellevue

SURFACE WATER UTILITY

TITLE

AREA INLET