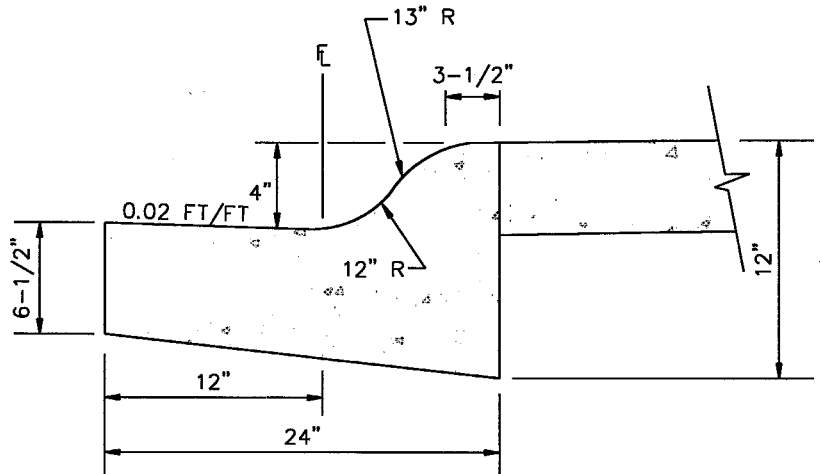
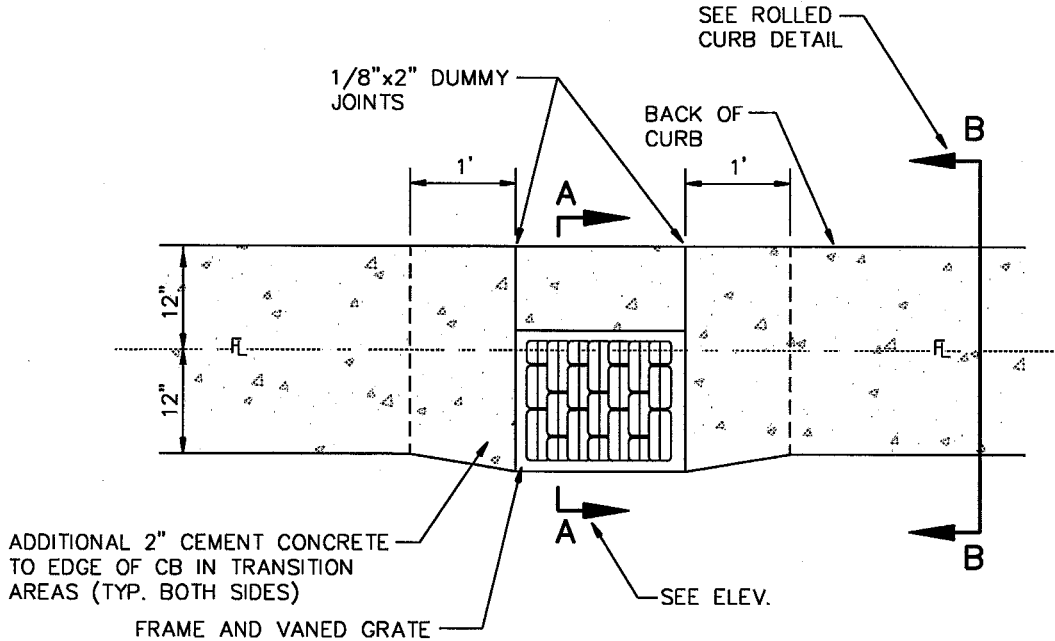


**ELEVATION A-A**



**ELEVATION B-B**



1. WHEN A THRU-CURB INLET IS REQUIRED, USE A ROLLED CURB FRAME AND GRATE.



**City of Bellevue**

SURFACE WATER UTILITY

TITLE

GRATE/ROLLED CURB INSTALLATION