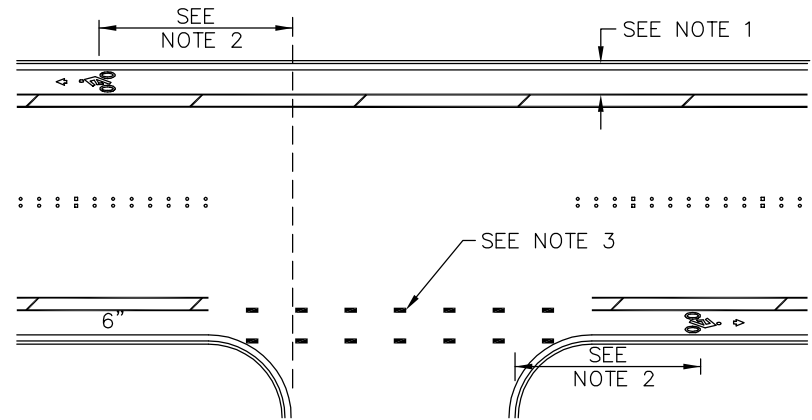


BUFFERED BICYCLE LANE

NOTES:

1. PREFERRED BIKE LANE WIDTH IS 6 FEET.
2. 40' TYPICAL (ADJUST AS NECESSARY FOR VEHICLE TRACKING).
3. BICYCLE THROUGH INTERSECTION MARKING MAY BE WARRANTED DEPENDING ON LOCATION. DESIGNS VARY. CONTACT THE REVIEW ENGINEER FOR SITE SPECIFIC REQUIREMENTS. SEE STD. DWG. CH-110-1 FOR MARKING DIMENSIONS.
4. CONSIDER THE USE OF TWO-STAGE TURN BOXES AT MULTI-LANE OR HIGHER SPEED SIGNALIZED INTERSECTIONS. CONTACT THE REVIEW ENGINEER FOR SITE SPECIFIC REQUIREMENTS. INTERSECTION OPERATION ANALYSIS REQUIRED.



SIDE STREET TREATMENT



BUFFERED BICYCLE LANE CHANNELIZATION

DRAWING NUMBER	CH-240-1
SCALE	NONE
REVISION DATE	1/18
DEPARTMENT	TRANS