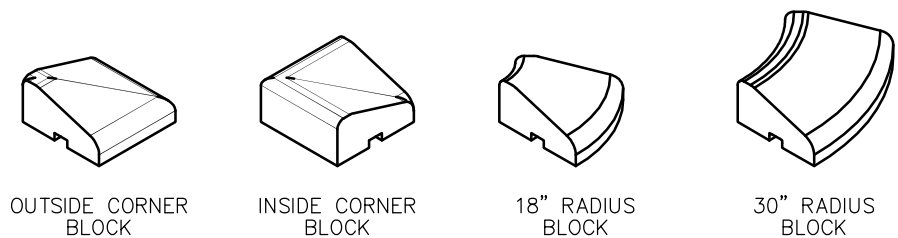
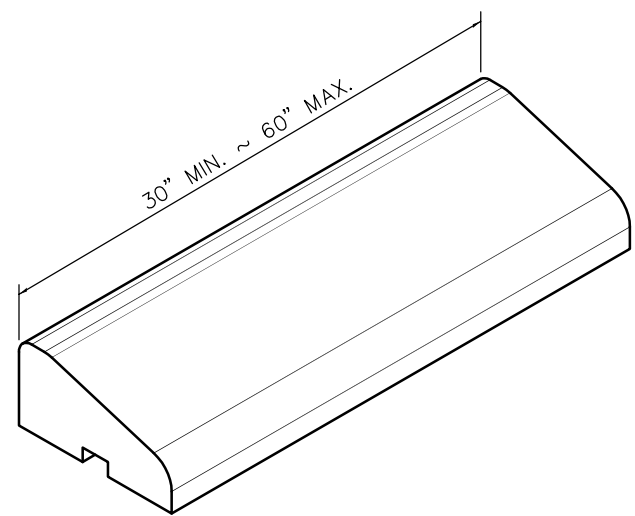


SLOPED MOUNTABLE CURB



CORNER SEGMENTS

NOTES:

1. PRECAST TRAFFIC CURB SHALL BE INSTALLED WITH AN EAS-06 TWO PART EPOXY. SEE STD. DWG. CH-300-1.
2. EPOXY SHALL BE PLACED UNDER THE BEARING SURFACE OF THE PRECAST TRAFFIC CURB.
3. APPLY SUFFICIENT AMOUNT OF EPOXY TO ENSURE UNIFORM COVERAGE OF APPROXIMATELY 1/4" ACROSS THE BEARING SURFACE. THE EPOXY SHALL SQUEEZE-OUT ALONG ALL EDGES.



City of Bellevue

PRECAST CONCRETE SLOPED MOUNTABLE CURB

DRAWING NUMBER	CH-160-1
SCALE	NONE
REVISION DATE	1/18
DEPARTMENT	TRANS