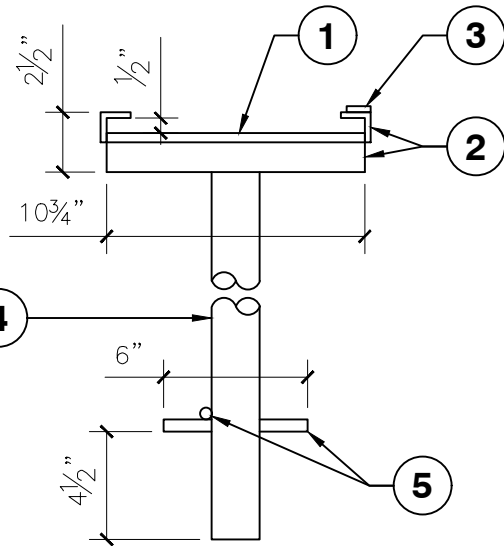
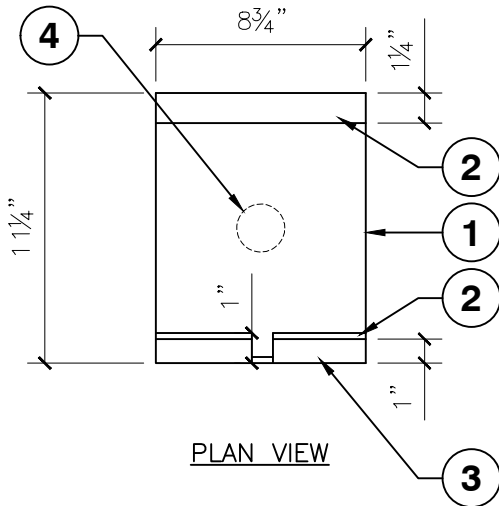


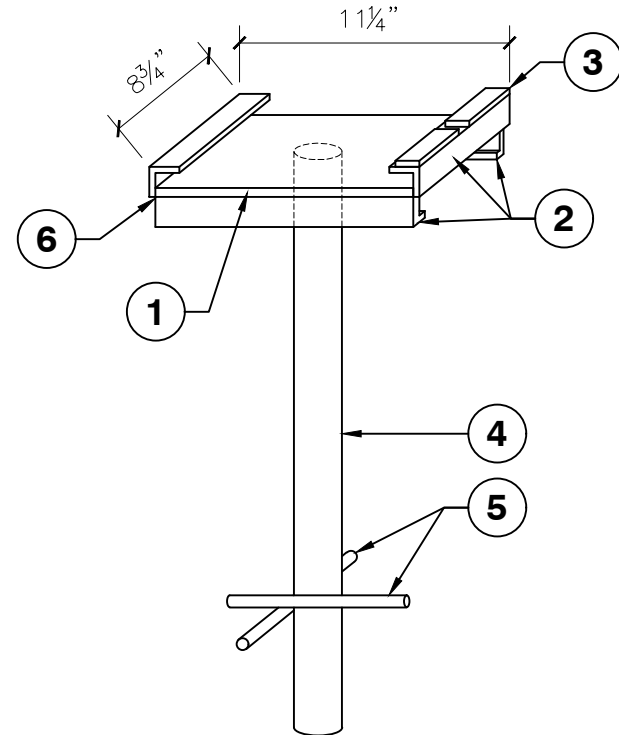
SIDE VIEW



FRONT VIEW



PLAN VIEW



ISOMETRIC VIEW - N.T.S.

- ① 3/8" THICK GALV. STEEL PLATE
- ② 1/4"x1 1/4"x1 1/4" GALV. ANGLE IRON
- ③ 1/4"x1" GALV. STEEL BAR
- ④ 2" DIA. SCH 40 GALV. STEEL POST
- ⑤ 1/2" DIA. GALV. STEEL ROD
- ⑥ FINISHED GRADE OF HARDSURFACE PAVEMENT



City of  
Bellevue

TITLE:

TRAIL - BOLLARD - BIKE DISMOUNT - REMOVABLE  
POST - ANCHOR DETAIL

DRAWING #:	PK-TR-16D
SCALE:	N.T.S.
REVISION DATE:	04-2026
DEPARTMENT:	PARKS