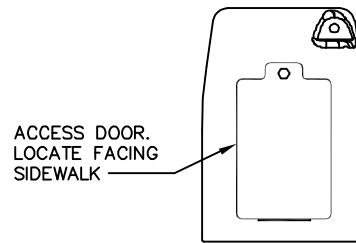
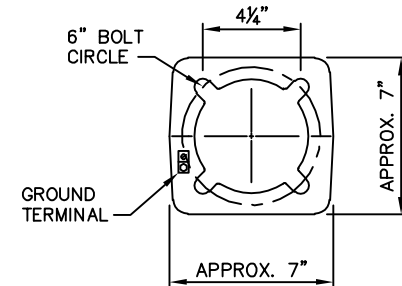


BASE MOUNTING DETAIL

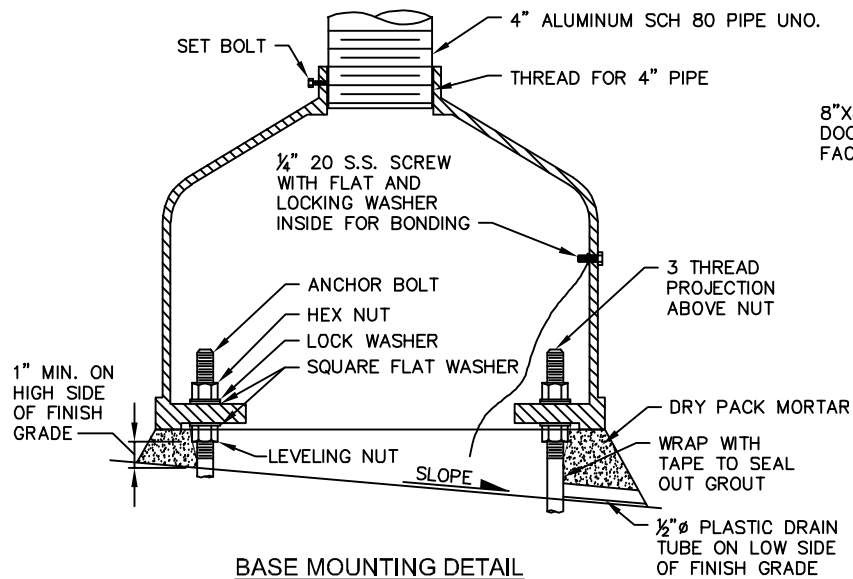


BASE ELEVATION



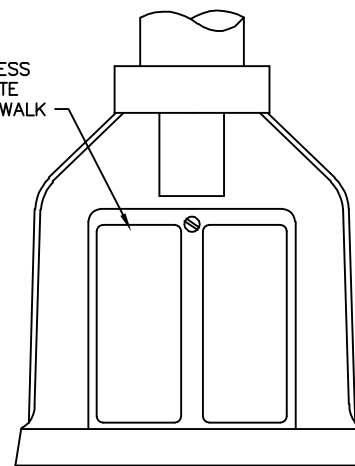
BOTTOM VIEW

PEDESTAL BASE WITH 6" BOLT CIRCLE

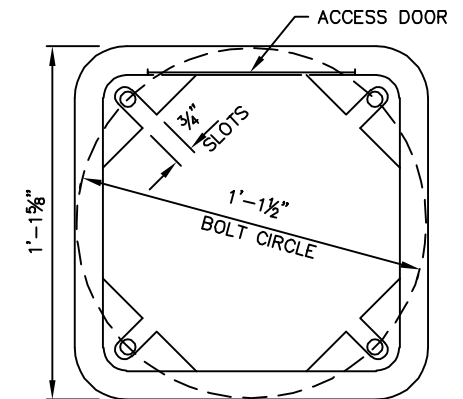


BASE MOUNTING DETAIL

8"x8 1/2" ACCESS DOOR. LOCATE FACING SIDEWALK



BASE ELEVATION



NOTE: BASE SHALL MEET AASHTO BREAKAWAY REQUIREMENTS

BOTTOM VIEW

PEDESTAL BASE WITH 1'-1 1/2" BOLT CIRCLE

PEDESTAL BASE FOR 4" ALUMINUM POLE



| | |
|----------------|----------|
| DRAWING NUMBER | SL-140-2 |
| SCALE | NONE |
| REVISION DATE | 1/25 |
| DEPARTMENT | TRANS |