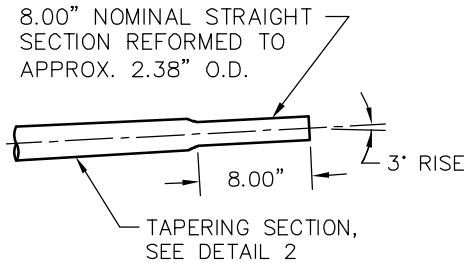
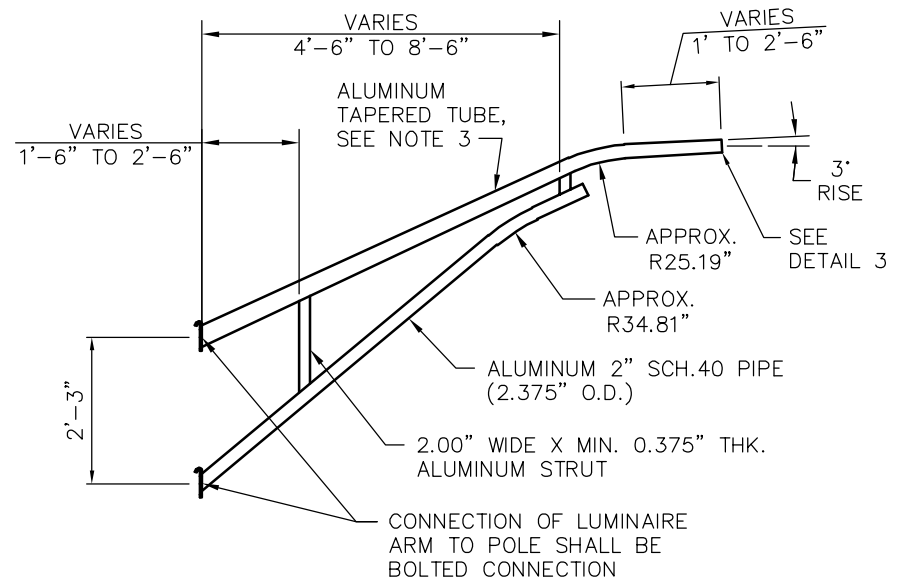


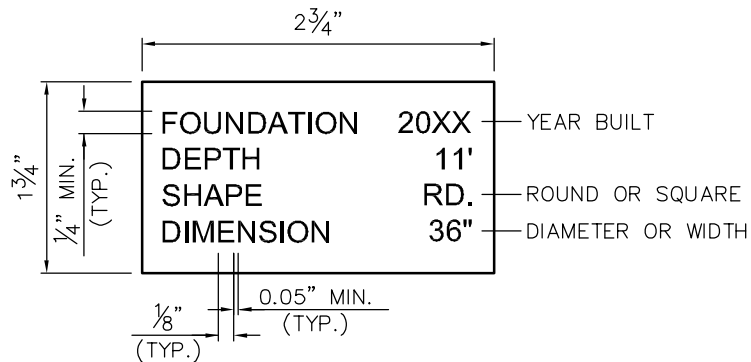
DETAIL 1 – POLE BASE



DETAIL 3 – ARM END



DETAIL 2 – LUMINAIRE ARM



DETAIL 4 – FOUNDATION PLATE DETAIL

NOTES:

1. LUMINAIRE ARM LENGTH L=6', 8', 10', OR 12'.
2. DIMENSIONS MAY VARY BY MANUFACTURER.
3. ALUMINUM TAPERED TUBE HAS CROSS-SECTION OF 4.00"X2.75" (LONGER DIMENSION VERTICAL) AT CONNECTION TO POLE AND TAPERS TO A 2.75" O.D. CROSS-SECTION, THEN CONTINUES TO TAPER TO AN O.D. OF APPROX. 2.40". SEE DETAIL 3, THIS SHEET, FOR ARM END DIMENSIONS.
4. FOUNDATION PLATE MATERIAL MAY BE METAL OR PLASTIC AND SHALL BE ATTACHED TO THE POLE BASE WITH A PERMANENT WEATHERPROOF ADHESIVE.



ALUMINUM ROADWAY LIGHTING POLE DETAILS

DRAWING NUMBER	SL-112-1
SCALE	NONE
REVISION DATE	1/25
DEPARTMENT	TRANS