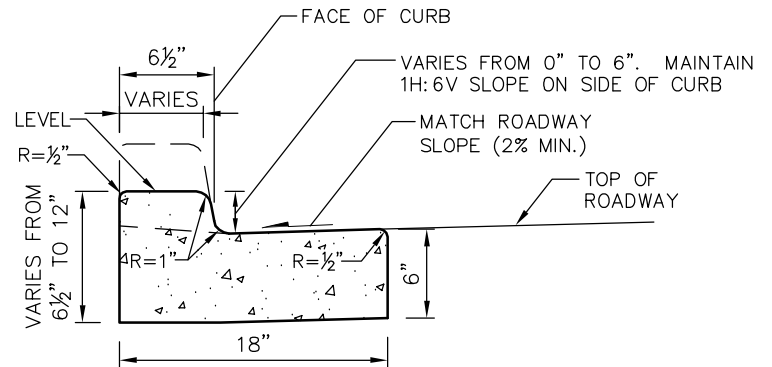
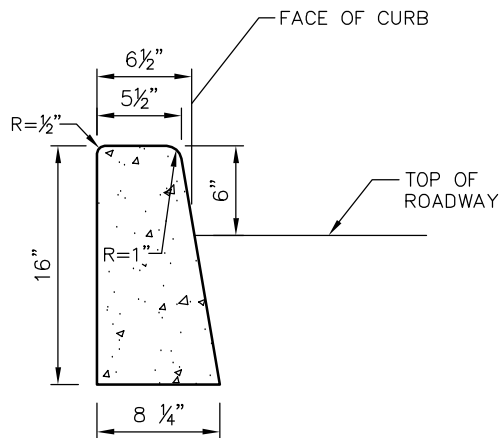


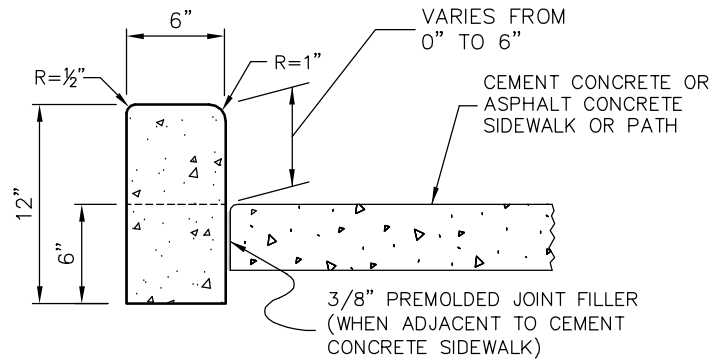
**CEMENT CONCRETE  
TRAFFIC CURB AND GUTTER**



**DEPRESSED CURB SECTION**



**CEMENT CONCRETE  
VERTICAL TRAFFIC CURB**



**CEMENT CONCRETE  
PEDESTRIAN CURB**

**NOTES:**

1. ALL CEMENT CONCRETE CURBS SHALL BE CONSTRUCTED WITH AIR ENTRAINED CONCRETE CLASS 3000 CONFORMING TO WSDOT STD. SPEC. 6-02 EXCEPT AS SPECIFIED IN NOTE 2.
2. CEMENT CONCRETE CURB OR CURB AND GUTTER ALONG THE FULL WIDTH OF A DRIVEWAY ENTRANCE SHALL BE CONSTRUCTED WITH AIR ENTRAINED CONCRETE CLASS 4000 CONFORMING TO WSDOT STD. SPEC. 6-02.
3. REMOVAL/REPLACEMENT OF CEMENT CONCRETE CURB SHALL BE FROM EXPANSION JOINT TO EXPANSION JOINT UNLESS OTHERWISE DIRECTED BY THE ENGINEER.



City of  
Bellevue

**CEMENT CONCRETE CURBS**

|                |          |
|----------------|----------|
| DRAWING NUMBER | SW-100-1 |
| SCALE          | NONE     |
| REVISION DATE  | 2/24     |
| DEPARTMENT     | TRANS    |