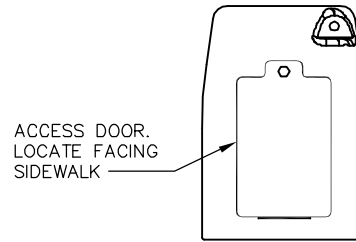
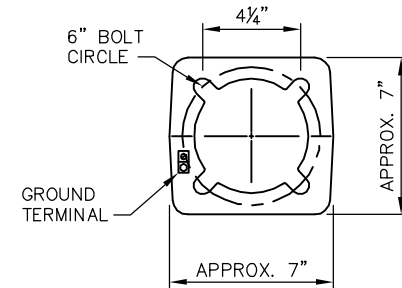


BASE MOUNTING DETAIL

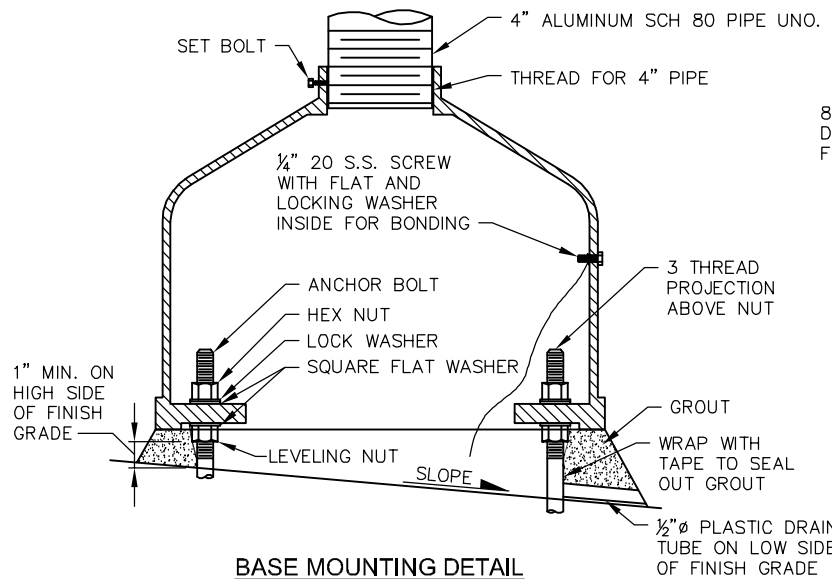


BASE ELEVATION



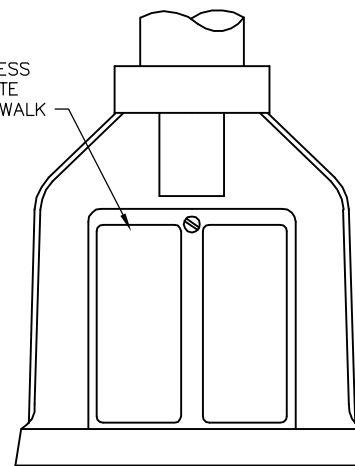
BOTTOM VIEW

PEDESTAL BASE WITH 6" BOLT CIRCLE

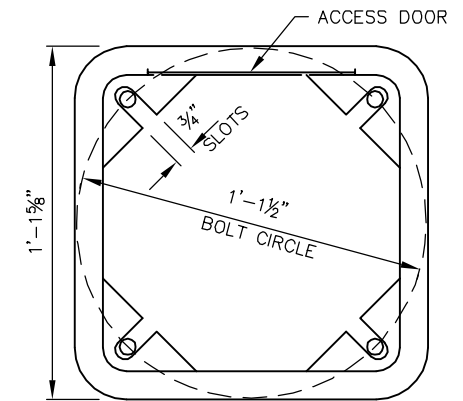


BASE MOUNTING DETAIL

8"X8 1/2" ACCESS DOOR. LOCATE FACING SIDEWALK



BASE ELEVATION



NOTE: BASE SHALL MEET AASHTO BREAKAWAY REQUIREMENTS

BOTTOM VIEW

PEDESTAL BASE WITH 1'-1 1/2" BOLT CIRCLE

PEDESTAL BASE FOR 4" ALUMINUM POLE



DRAWING NUMBER	SL-140-2
SCALE	NONE
REVISION DATE	2/24
DEPARTMENT	TRANS