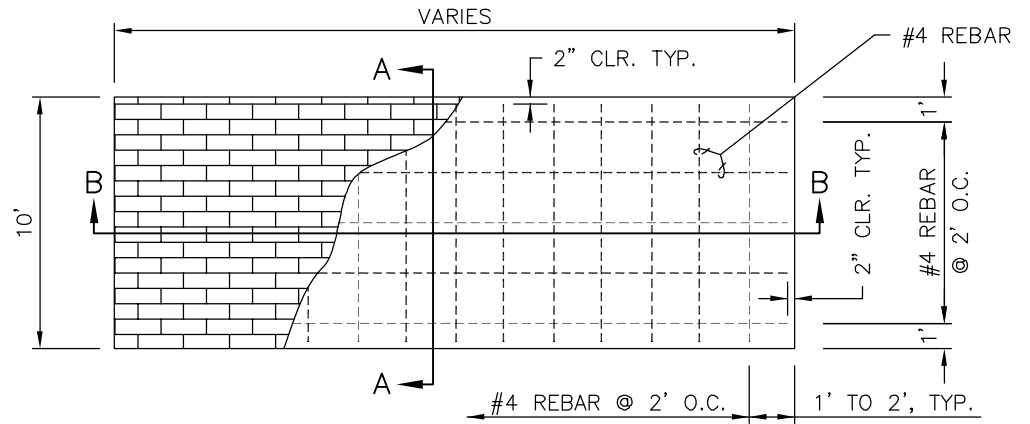
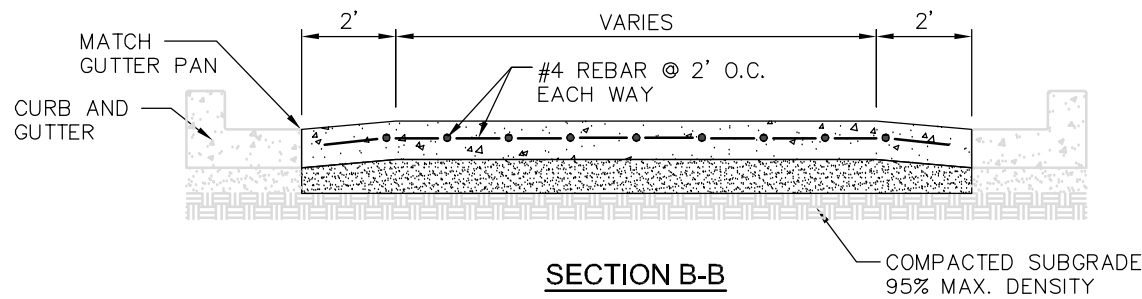
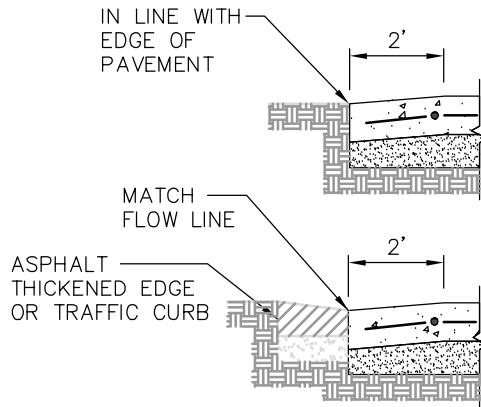


SECTION A-A



PLAN



SECTION B-B

NOTES:

1. MATERIAL SHALL BE PATTERNED, COLORED CONCRETE WITH COLOR INTEGRAL TO THE CONCRETE.
2. COLOR SHALL BE 417 APPLE RED BY SOLOMON, OR APPROVED EQUAL.
3. PATTERN SHALL BE CONTINUOUS RUNNING BOND, 12"X6" UNIT.
4. FINAL DECORATIVE PATTERN LAYOUT TO BE APPROVED BY ENGINEER PRIOR TO INSTALLATION.



City of Bellevue

PATTERNED CONCRETE ENTRY TREATMENT

DRAWING NUMBER	RC-160-1
SCALE	NONE
REVISION DATE	2/24
DEPARTMENT	TRANS