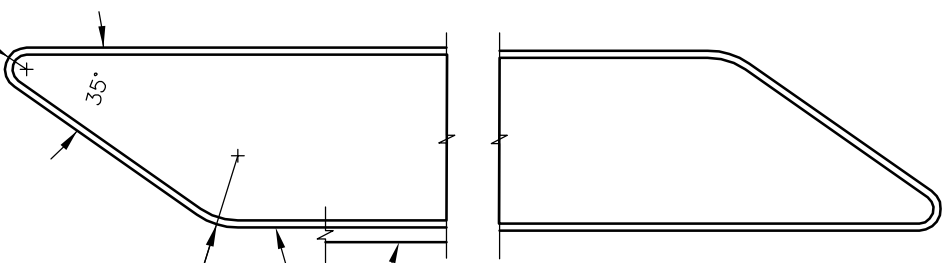


R=1.5'  
FACE OF  
CURB (TYP.)



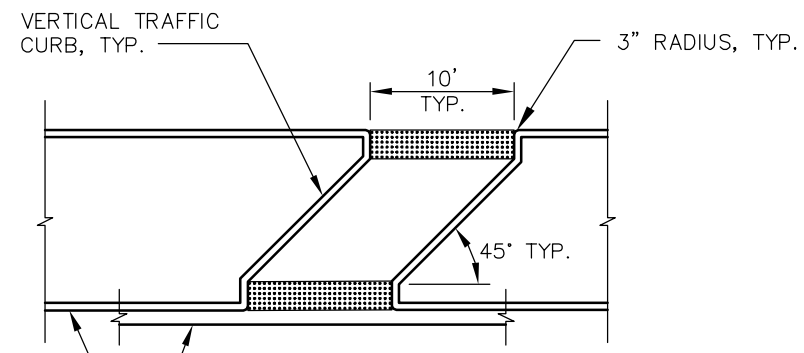
R=5'  
FACE OF  
CURB (TYP.)

VERTICAL TRAFFIC  
CURB OR CURB  
AND GUTTER, TYP.

MEDIAN NOSE LAYOUT

**NOTES:**

1. FOR TYPICAL CHANNELIZATION AT MEDIAN ISLAND, SEE STD. DWG. NO. CH-220-1.
2. IF MEDIAN IS LESS THAN 8' IN WIDTH, ANGLING OF CROSSWALK REFUGE MAY NOT BE REQUIRED, AS DETERMINED BY REVIEW ENGINEER.



VERTICAL TRAFFIC  
CURB OR CURB  
AND GUTTER, TYP.

AT-GRADE CROSSWALK REFUGE



MEDIAN ISLAND DETAILS

DRAWING NUMBER	RC-121-1
SCALE	NONE
REVISION DATE	2/24
DEPARTMENT	TRANS