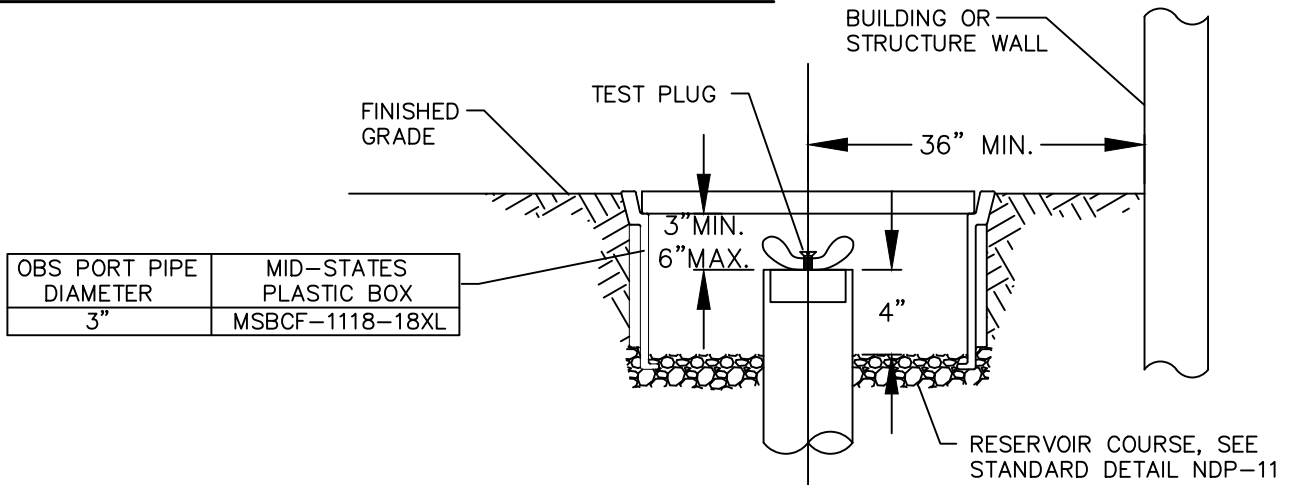
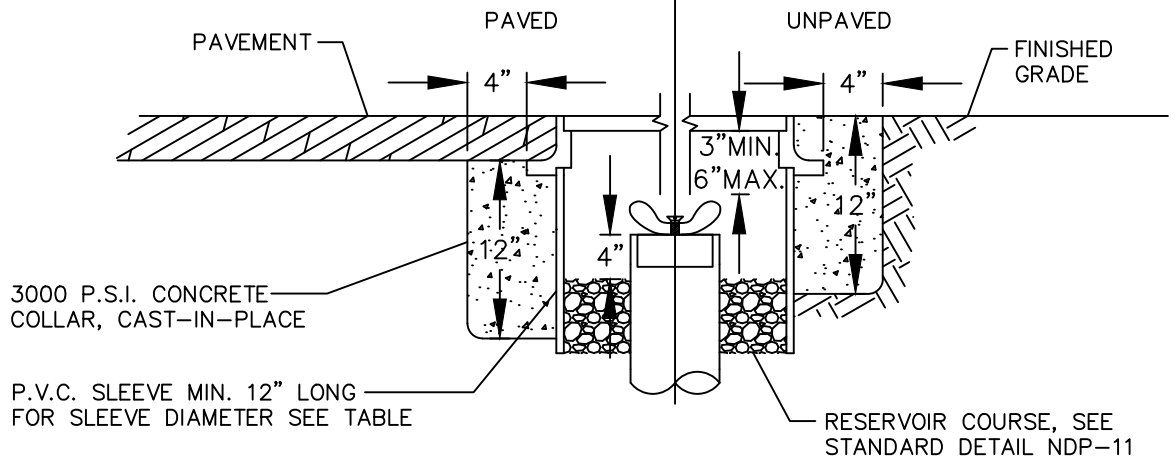


A.) OUTSIDE OF R.O.W. OR EASEMENT



B.) RIGHT-OF-WAY OR EASEMENT



NOTES:

1. BOLT-LOCKING CAST IRON RING AND COVER SHALL BE USED IN RIGHT-OF-WAY AND EASEMENTS AND MUST BE RATED HS-20 IF USED IN TRAFFIC AREAS. SEE TABLE FOR SIZES.
2. MID-STATES PLASTIC BOX OR EQUAL MAY BE USED IF OBSERVATION PORT IS OUTSIDE OF RIGHT-OF-WAY OR EASEMENT. SEE TABLE FOR SIZES. THE COVER FOR THE PLASTIC BOX SHALL BE DUCTILE IRON AND READ "STORM" OR BE BLANK (NO LABEL).
3. CAST IRON COVER SHALL READ "STORM, DO NOT BURY", OR EQUIVALENT.
4. LOCKING BOLTS SHALL BE 5/8"-11 N.C. 304 STAINLESS STEEL SOCKET (ALLEN) HEAD, 2" LONG.
5. 14" BOLT-LOCKING CAST IRON COVER SHALL BE EQUAL TO INLAND FOUNDRY NUMBER 209, OR 210. FOR TRAFFIC AREAS, SEE STANDARD DETAIL D-52.
6. SPECIAL "DECORATIVE" CASTING MAY BE USED IF PREAPPROVED BY CITY OF BELLEVUE.



City of Bellevue

STORM AND SURFACE WATER UTILITY

TITLE

OBSERVATION PORT COVERS FOR PERMEABLE PAVEMENT