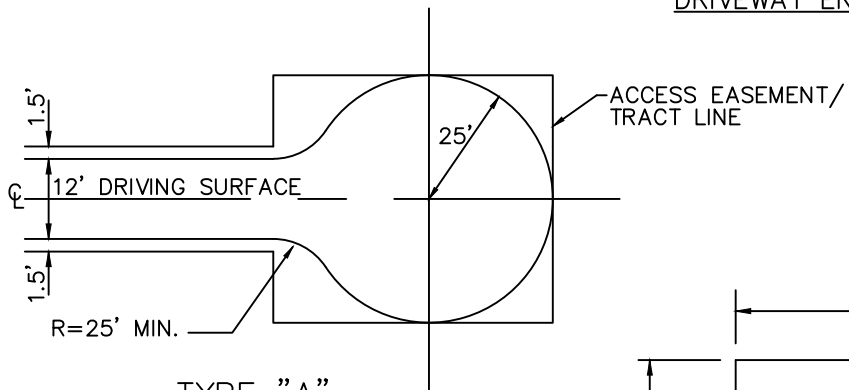
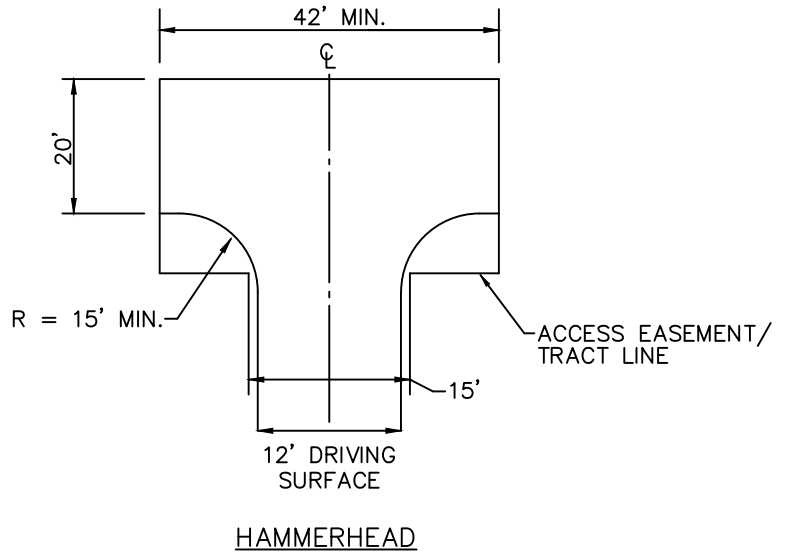


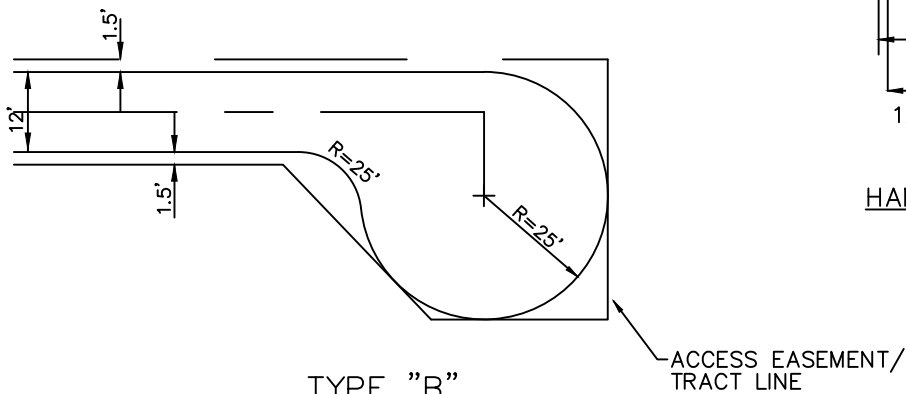
DRIVEWAY ENTRANCE



TYPE "A"  
TURNAROUND



HAMMERHEAD



TYPE "B"  
TURNAROUND



City of  
Bellevue

STORM AND SURFACE  
WATER UTILITY

TITLE

DRAINAGE FACILITY  
MAINTENANCE ACCESS