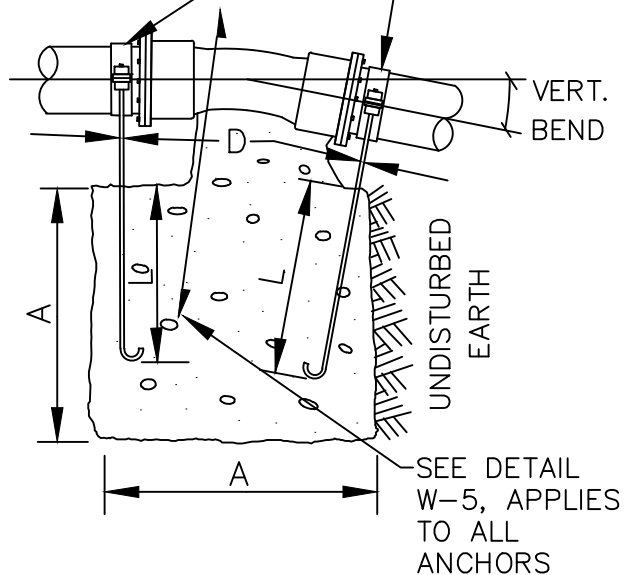


PIPE CLAMP (HOT DIPPED GALVANIZED) WITH RODS (STAINLESS STEEL-ALL THREAD 316SS)

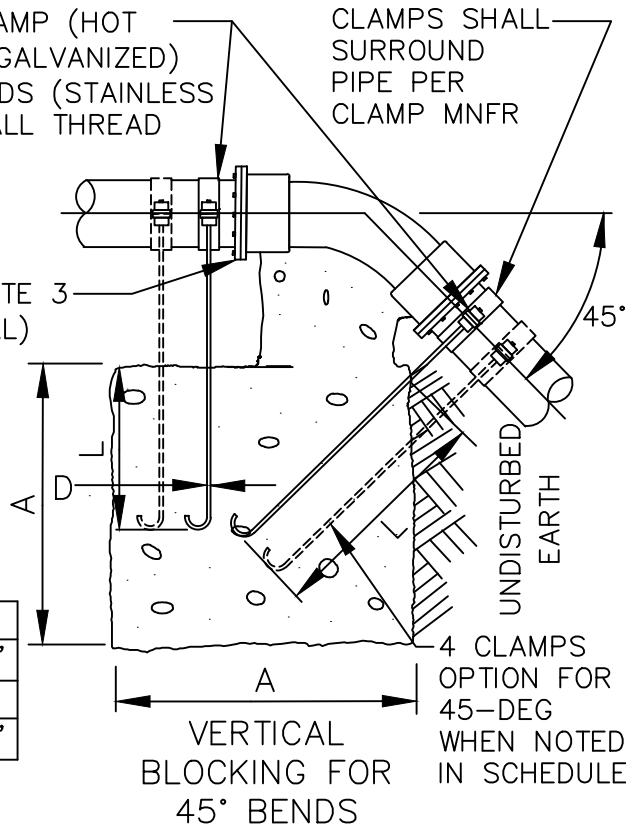


VERTICAL BLOCKING FOR 11 1/4°, 22 1/2°, & 30° BENDS

PIPE CLAMP (HOT DIPPED GALVANIZED) WITH RODS (STAINLESS STEEL-ALL THREAD 316SS)

CLAMPS SHALL SURROUND PIPE PER CLAMP MNFR

SEE NOTE 3 (TYPICAL)



VERTICAL BLOCKING FOR 45° BENDS

VERTICAL BLOCKING FOR 11 1/4°-22 1/2°-30° BENDS

PIPE SIZE	V B	CU FT	A	D(MIN.)	L
4"	11 1/4°	8	2.0'	5/8"	1.5'
	22 1/2°	11	2.2'		
	30°	17	2.6'		
6"	11 1/4°	11	2.2'	5/8"	2.0'
	22 1/2°	25	2.9'		
	30°	41	3.5'		
8"	11 1/4°	16	2.5'	5/8"	2.0'
	22 1/2°	47	3.6'		
	30°	70	4.1'		
12"	11 1/4°	32	3.2'	5/8"	2.0'
	22 1/2°	88	4.5'		
	30°	132	5.1'		
16"	11 1/4°	70	4.1'	7/8"	3.0'
	22 1/2°	184	5.7'		
	30°	275	6.5'		
20"	11 1/4°	91	4.5'	1 1/4"	3.0'
	22 1/2°	225	6.1'		
	30°	330	6.9'		
24"	11 1/4°	128	5.0'	1 1/4"	4.0'
	22 1/2°	320	6.8'		
	30°	480	7.9'		

VERTICAL BLOCKING FOR 45° BENDS

4"	45°	30	3.1'	5/8"	2.0'	OR 4 CLMP	D(MIN.)	L	
6"		68	4.1'						
8"		123	5.0'						
12"		232	6.1'	5/8"	2.0'		OR 4 CLMP	D(MIN.)	L
16"		478	7.8'	1 1/8"*	4.0'				
20"		560	8.2'	1 1/4"	4.0'				
24"		820	9.4'	1 3/8"*	4.5'				

NOTES:

1. CONCRETE BLOCKING BASED ON 200 PSI PRESSURE AND 2500 PSI CONCRETE.
2. LEAVE BLOCK OPEN OR SHEETED 24 HOURS MINIMUM.
3. JOINT RESTRAINT SEE APPROVED MATERIALS LIST.

* BOLT SIZE REQUIRES CUSTOM FABRICATED CLAMP.



City of Bellevue

WATER UTILITY

TITLE

VERTICAL BLOCKING FOR CONNECTING TO EXISTING MAIN