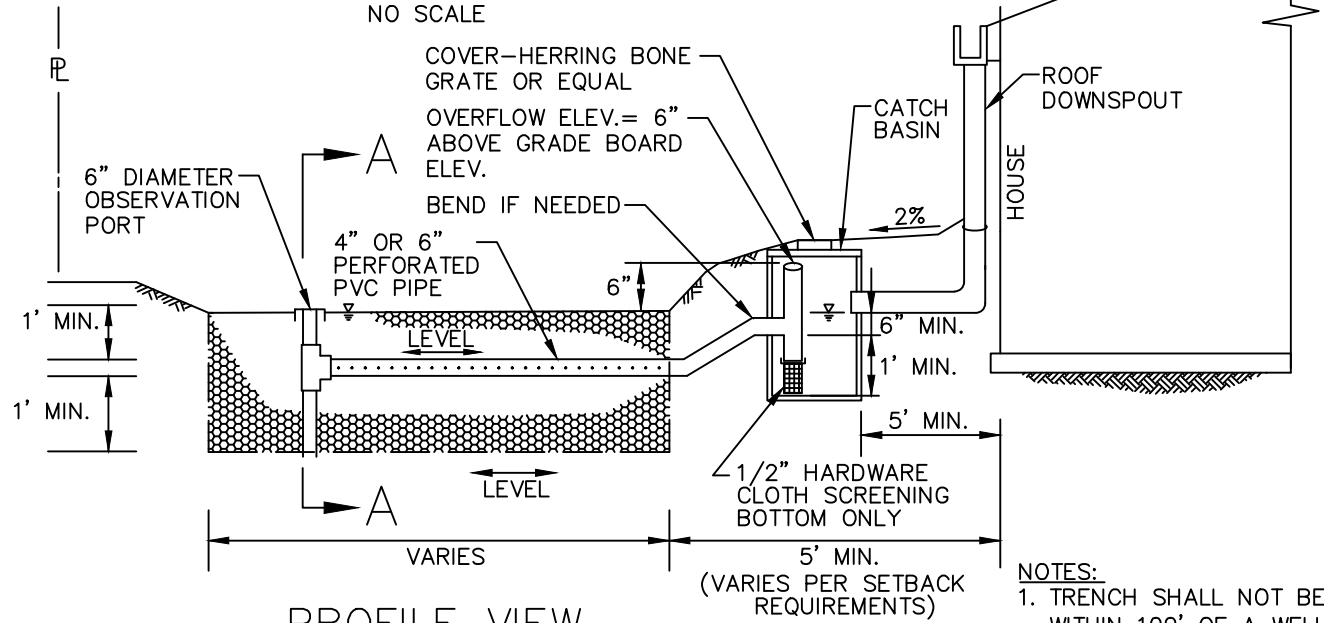
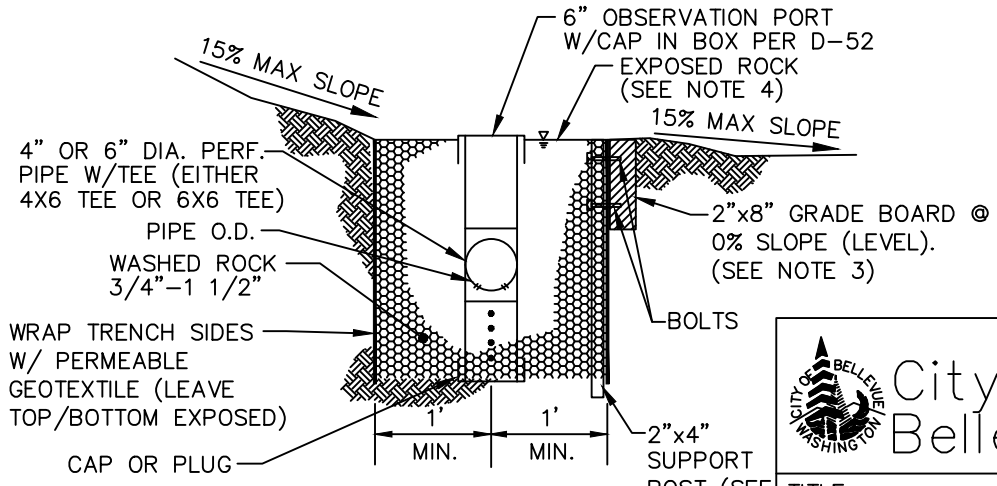


**PLAN VIEW**  
NO SCALE



**PROFILE VIEW**  
NO SCALE

- NOTES:**
1. TRENCH SHALL NOT BE LOCATED WITHIN 100' OF A WELL OR 10' FROM ANY PART OF A SEPTIC SYSTEM.
  2. TRENCH SHALL BE CONSTRUCTED SO AS TO PREVENT CONCENTRATED DISCHARGE AND/OR EROSION.
  3. GRADE BOARD & SUPPORT CEDAR OR RECYCLED PLASTIC (UNTREATED). SPACE SUPPORT POSTS EVERY 10' MIN. TO KEEP GRADE BOARD LEVEL.
  4. LEAVE ROCK PERMANENTLY EXPOSED. DO NOT COVER.



**SECTION A-A**  
NO SCALE



City of Bellevue  
STORM AND SURFACE  
WATER UTILITY

TITLE  
**ROOF DOWNSPOUT  
DISPERSAL TRENCH**  
NO. NDP-22