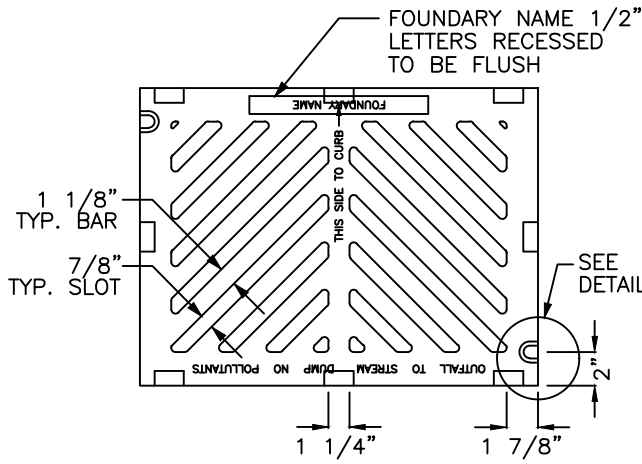
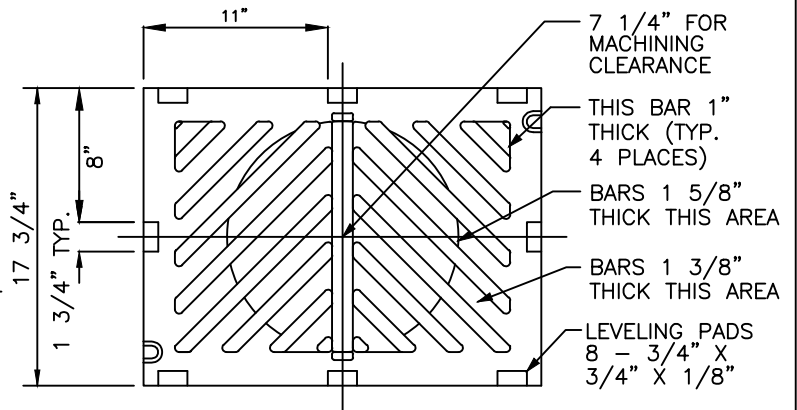


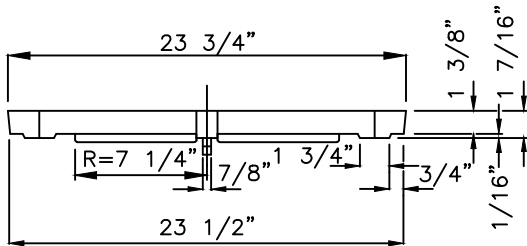
TOP VIEW



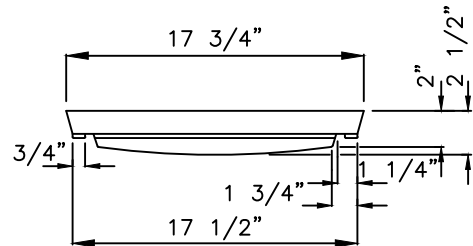
BOTTOM VIEW



SIDE VIEW

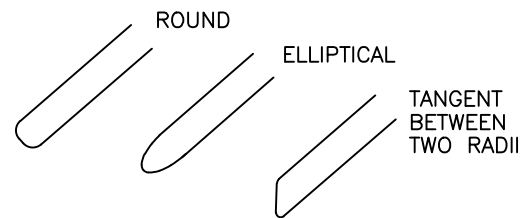
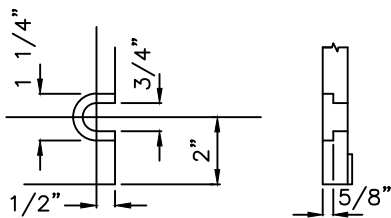


END VIEW



SLOT DETAIL

SEE NOTE 1



OPTIONAL DESIGN FOR GRATE OPENINGS ENDS

NOTES:

1. SLOT FORMED AND RECESSED FOR 5/8"–11 NC X 2 SOCKET HEAD (ALLEN HEAD) BOLT.
2. GRATE SHALL BE DUCTILE IRON.
3. SHALL CONFORM TO SEC. 9–05.15 OF THE STANDARD SPECIFICATIONS.
4. USE VANED GRATE IN CURB LINE.
5. USE FRAME SHOWN IN STANDARD DETAIL.



City of Bellevue

STORM AND SURFACE WATER UTILITY

TITLE

PARKING LOT/AREA GRATE