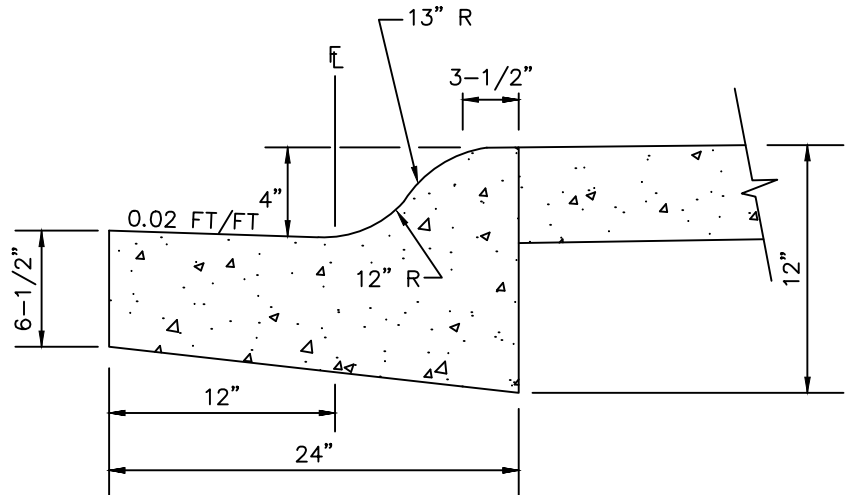
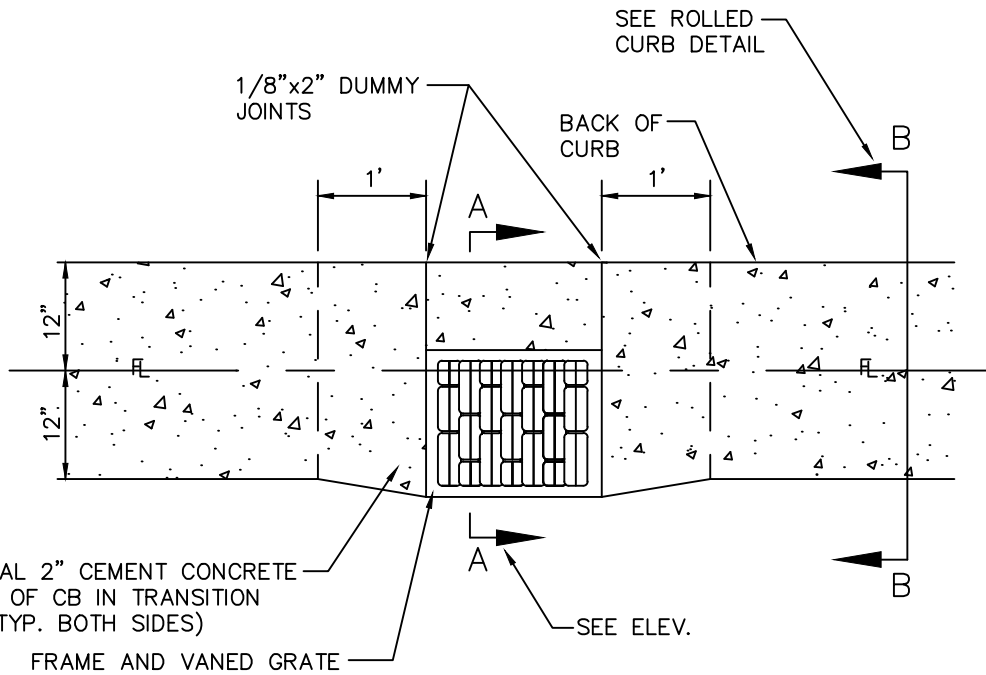


ELEVATION A-A



ELEVATION B-B



ADDITIONAL 2" CEMENT CONCRETE TO EDGE OF CB IN TRANSITION AREAS (TYP. BOTH SIDES)

FRAME AND VANED GRATE

NOTES:

1. WHEN A THRU-CURB INLET IS REQUIRED, USE A ROLLED CURB FRAME AND GRATE.



City of Bellevue

STORM AND SURFACE WATER UTILITY

TITLE

GRATE FOR EXISTING ROLLED CURB INSTALLATION