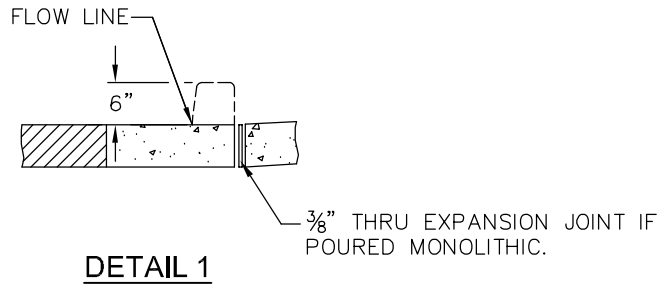
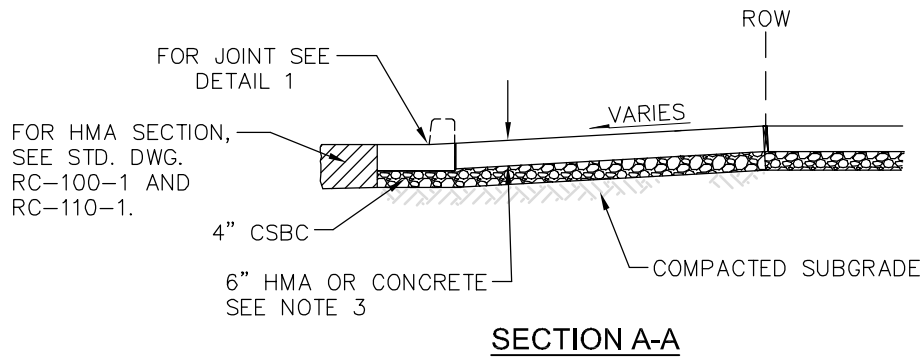


**DRIVEWAY APPROACH DETAIL**



**NOTES:**

1. SEE DESIGN STANDARD 5 FOR DRIVEWAY GUIDELINES, INCLUDING GRADE REQUIREMENTS FOR LANDING AND DRIVEWAY. DRIVEWAY WIDTH SHALL BE SPECIFIED BY THE ENGINEER
2. SAWCUT AND SEAL JOINT WITH ASPHALT OIL.
3. DRIVEWAY APPROACH TO BE 6" HMA CLASS 1/2" PG 58H-22 ASPHALT IN 2" LIFTS OR 6" OF CLASS 4000 P.C.C. MIX WITH COMPRESSIVE STRENGTH OF 3000 PSI WITHIN 3 DAYS, FROM ROAD TO PROPERTY LINE. MATERIAL TO BE DETERMINED BY THE ENGINEER.
4. HOT MIX ASPHALT OR CONCRETE TO BE PLACED OVER COMPACTED SUBGRADE AND 4" OF CSTC COMPACTED TO 95%.
5. TYPICAL EDGE RADIUS: COMMERCILA 15' SINGLE FAMILY 10'
6. ALTERNATE DESIGN WITH LIP PERMITTED ONLY WITH APPROVAL OF REVIEW ENGINEER AND TRANSPORTATION INSPECTOR.



**DRIVEWAY APPROACH  
WHERE CURB-GUTTER EXISTS (NO SIDEWALK)**

DRAWING NUMBER	SW-180-1
SCALE	NONE
REVISION DATE	2/22
DEPARTMENT	TRANS