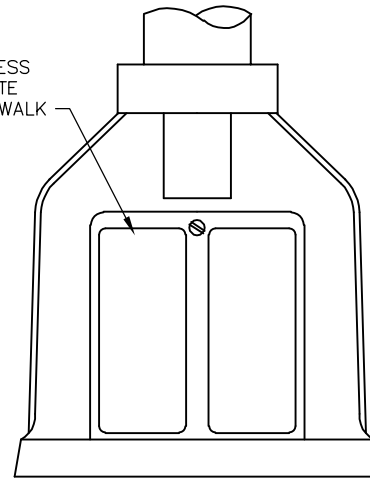
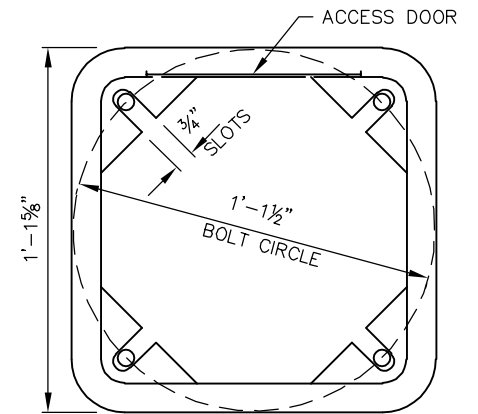


BASE MOUNTING DETAIL

8"X8 1/2" ACCESS DOOR. LOCATE FACING SIDEWALK



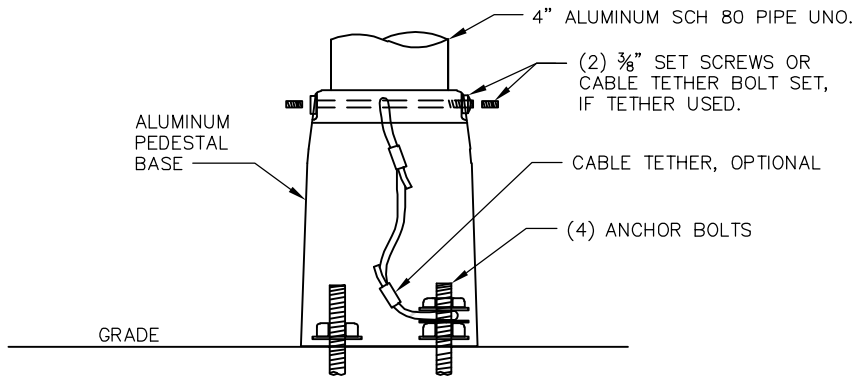
BASE ELEVATION



NOTE: BASE SHALL MEET AASHTO BREAKAWAY REQUIREMENTS

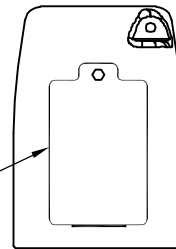
BOTTOM VIEW

PEDESTAL OPTION A - 1'-1 1/2" BOLT CIRCLE

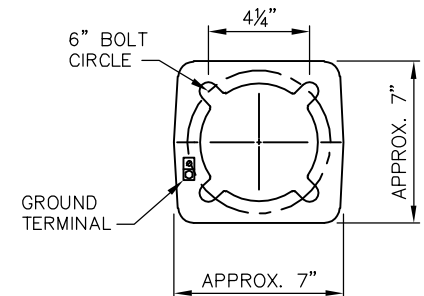


BASE MOUNTING DETAIL

ACCESS DOOR. LOCATE FACING SIDEWALK



BASE ELEVATION



BOTTOM VIEW

PEDESTAL OPTION B - 6" BOLT CIRCLE



4" ALUMINUM POLE BASES

DRAWING NUMBER	SL-140-2
SCALE	NONE
REVISION DATE	2/22
DEPARTMENT	TRANS