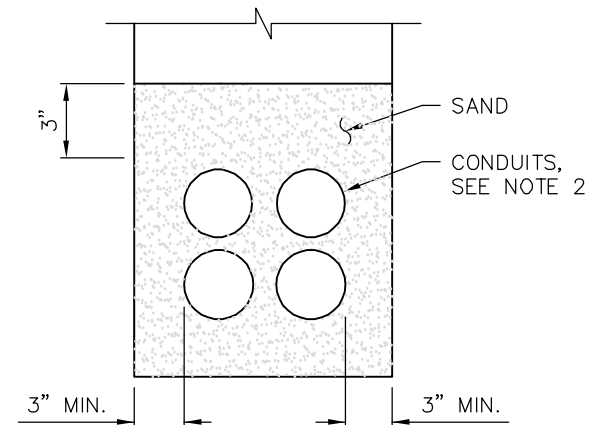
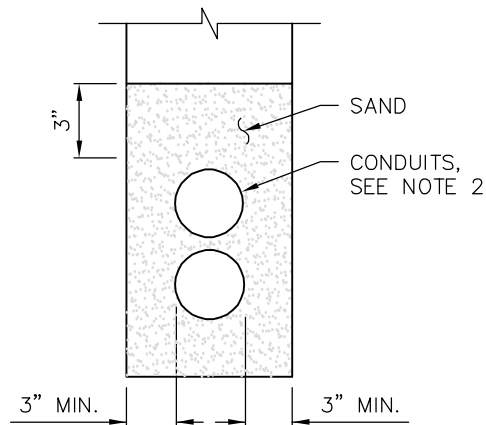


CONDUIT TRENCH DETAIL

NOTES:

1. MINIMUM DEPTH TO TOP OF CONDUIT SHALL BE MEASURED:
 - FROM TOP OF FINISH GRADE AT SIDEWALKS, DRIVEWAY APPROACHES, AND UNPAVED AREAS.
 - FROM BOTTOM OF PAVEMENT (HMA OR PCC) AT ROADWAY.
2. MULTIPLE CONDUIT CONFIGURATION MAY VARY (1x2, 2x2, 2x3, ETC). HOWEVER, MINIMUM DEPTH AND UTILITY CLEARANCES SHALL BE MAINTAINED.
3. ADDITIONAL REQUIREMENTS MAY APPLY FOR JOINT TRENCHES.



ALTERNATE CONDUIT CONFIGURATION EXAMPLES



CONDUIT TRENCH DETAIL

DRAWING NUMBER	SL-122-1
SCALE	NONE
REVISION DATE	2/22
DEPARTMENT	TRANS