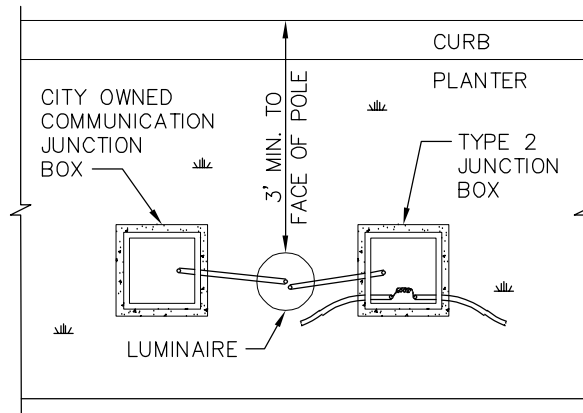


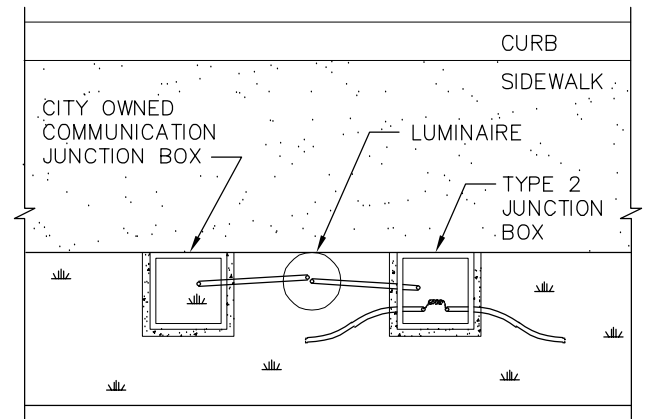
SIDEWALK WITH PLANTER STRIP

NOTES:

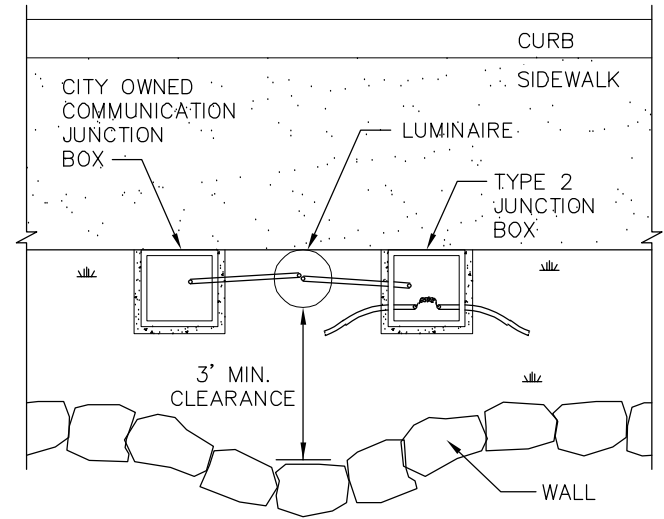
1. MUST MAINTAIN 3' MINIMUM CLEARANCE FROM POLE HANDHOLE TO ANY OBSTRUCTION.
2. ALL CONDUIT AT COMMUNICATION JUNCTION BOX SHOWN IN "SIDEWALK WITH PLANTER STRIP" DETAIL TYPICAL FOR ALL DETAILS THIS SHEET.
3. 1-2" CONDUIT (TYP.). 2-2" CONDUITS SHALL BE INSTALLED WHEN POWER IS OBTAINED FROM A SHARED ILLUMINATION CIRCUIT OR WHEN 2" SWF POWER CONDUIT AND 3" SWF COMM CONDUIT IS NOT PRESENT.
4. CITY OWNED COMMUNICATION JUNCTION BOX WITH NON-SLIP LID PER STD DWG SL-180-1. IF CONNECTING TO FIBER MEET-ME VAULT VIA 2" CONDUIT, JUNCTION BOX SHALL BE INSTALLED PER STD DWG SL-181-1.



NO SIDEWALK



SIDEWALK WITH PLANTER BEHIND



SIDEWALK WITH VERTICAL WALL



TYPICAL LUMINAIRE LOCATIONS AND SMALL WIRELESS FACILITY CONDUIT LAYOUT

DRAWING NUMBER	SL-120-1
SCALE	NONE
REVISION DATE	12/22
DEPARTMENT	TRANS