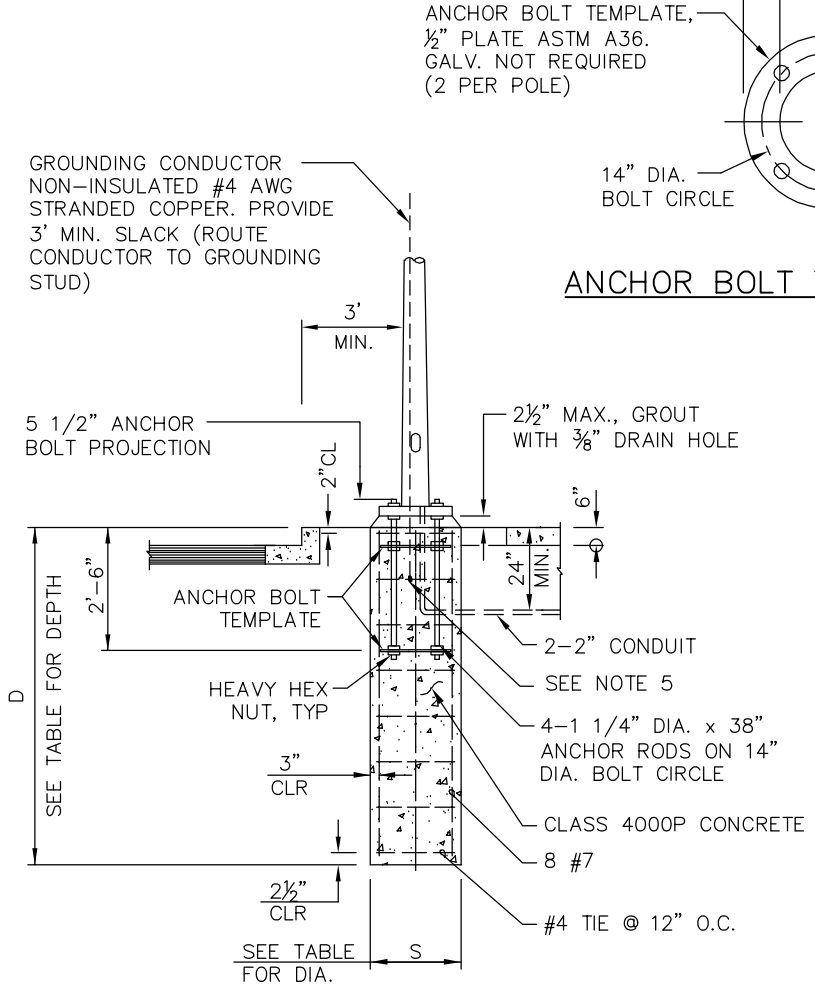
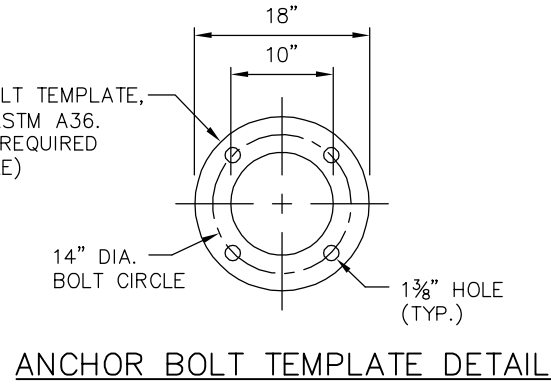


NOTES:

1. THE FOUNDATION HAS BEEN DESIGNED ACCORDING TO THE AASHTO LRFD SPECIFICATIONS FOR STRUCTURAL SUPPORTS FOR HIGHWAY SIGNS, LUMINAIRES AND TRAFFIC SIGNALS, FIRST EDITION, 2015. ULTIMATE WIND SPEED IS 120 MPH.
2. THE FOUNDATION HAS BEEN DESIGNED FOR THE FOLLOWING POLE BASE FORCES:

| | |
|-----------------|--------------|
| BENDING MOMENT: | 41,816 FT-LB |
| TORSION: | 2,330 FT-LB |
| SHEAR FORCE: | 1,814 LB |
| AXIAL FORCE: | 1,798 LB |
3. FOUNDATIONS FOR POLES WITH FORCES GREATER THAN ONE OR MORE OF THE FORCES LISTED ABOVE SHALL REQUIRE SPECIAL DESIGN.
4. ANCHOR BOLTS, NUTS AND WASHERS SHALL BE HOT DIPPED GALVANIZED FULL LENGTH PER ASTM A153 OR F2329. ANCHOR BOLTS SHALL CONFORM TO ASTM F1554, GRADE 55, WITH 14" OF THREADS AT TOP AND 6" OF THREADS AT BOTTOM. HEAVY HEX NUTS SHALL CONFORM TO ASTM A563, GRADE A. WASHERS SHALL CONFORM TO ASTM F436.
5. CLAMP CONDUCTOR TO STEEL REINFORCING WITH LISTED CONNECTOR SUITABLE FOR USE EMBEDDED IN CONCRETE.
6. REINFORCING STEEL SHALL CONFORM TO ASTM A706, GRADE 60.



FOUNDATION - SIDEWALK CONDITION

| FOUNDATION DEPTH D | | | |
|------------------------------------|--------------|-------------------------------------|--------------------------|
| ALLOWABLE LATERAL BEARING PRESSURE | SHAFT DIA. S | GROUND SLOPE | |
| | | SIDEWALK, OR SLOPE 4H:1V OR FLATTER | SLOPE BTWN 4H:1V & 2H:1V |
| 1000 TO 1500 PSF | 30" | 11'-0" | SPECIAL DESIGN REQ'D |
| | 36" | 10'-0" | |
| GREATER THAN 1500 PSF | 30" | 8'-0" | 10'-0" |
| | 36" | 7'-6" | 9'-0" |



**ROADWAY LIGHTING POLE FOUNDATION AT SIDEWALK
(SMALL WIRELESS FACILITY COMPATIBLE)**

| | |
|----------------|----------|
| DRAWING NUMBER | SL-105-1 |
| SCALE | NONE |
| REVISION DATE | 2/22 |
| DEPARTMENT | TRANS |