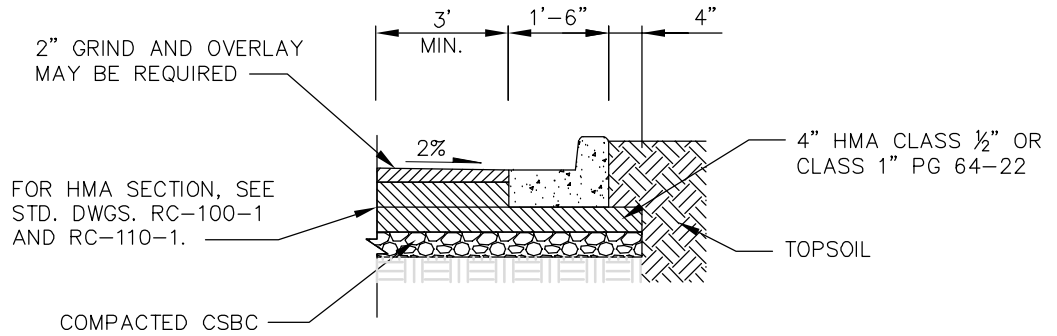


**TYPICAL ASPHALT PAVEMENT DETAIL AT CURB/GUTTER INSTALLATION**

NTS



**ALTERNATE ASPHALT PAVEMENT DETAIL FOR CURB/GUTTER ADJACENT TO LANDSCAPE STRIP OR NDP FEATURE**

NTS

**NOTES:**

1. NO PLATE COMPACTION ALLOWED. COMPACTION BY ROLLER ONLY.
2. WIDTH OF SAWCUT FROM GUTTER LINE OR CURB FACE MAY BE INCREASED AT THE DISCRETION OF THE ENGINEER.



**TYPICAL ASPHALT PAVEMENT DETAILS AT CURB AND GUTTER INSTALLATION**

DRAWING NUMBER	RC-240-1
SCALE	NONE
REVISION DATE	2/22
DEPARTMENT	TRANS