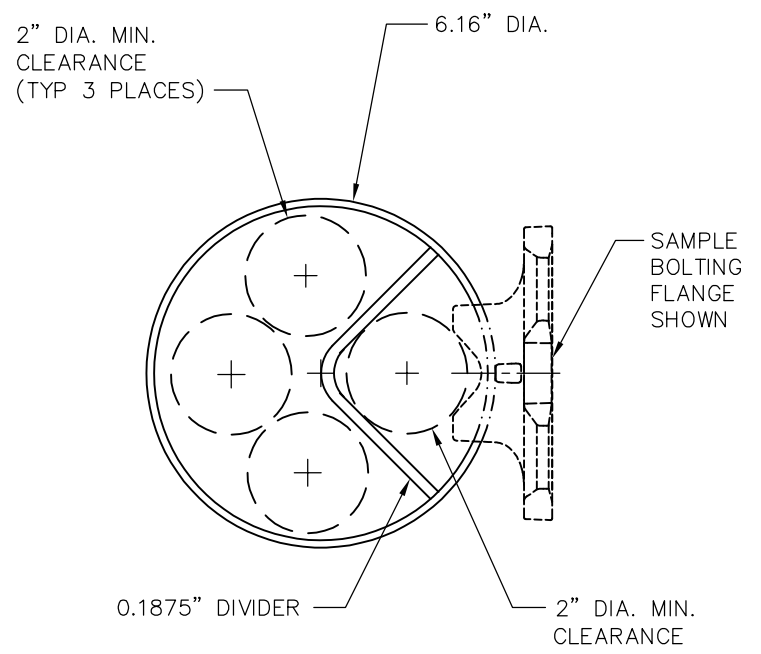


CLEARANCE FOR WIRE AT 1'-6" ELEVATION

SECTION A-A
LOWER SECTION CLEARANCE



CLEARANCE FOR WIRE AT LUMINAIRE ARM UPPER CONNECTION

SECTION B-B
UPPER SECTION CLEARANCE



STEEL ROADWAY LIGHTING POLE DETAILS
(SMALL WIRELESS FACILITY COMPATIBLE)

DRAWING NUMBER	SL-101-1
SCALE	NONE
REVISION DATE	6/21
DEPARTMENT	TRANS