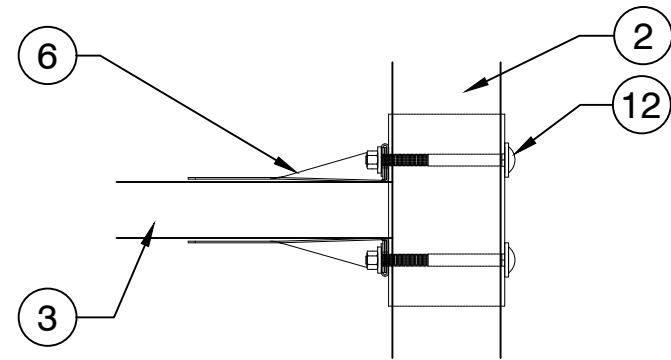


A - SECTION



B - PLAN

- ① CONNECTOR, SEE PK-TR-10E
- ② 6³/₄"x12" BEAM
- ③ 4x10 JOIST
- ④ 4x4 FRAME POST
- ⑤ DECKING
- ⑥ (4) SIMPSON HTT4 TENSION TIE, OR APPROVED EQUAL
- ⑦ DIAMOND PIER DP100 PIN FOUNDATION, OR APPROVED EQUAL
- ⑧ SIMPSON ABE44 POST BRACKET, OR APPROVED EQUAL
- ⑨ EMBEDDED GALV. ANCHOR BOLT, TO BE SIZED BY MANUF.
- ⑩ GALV. LEVELING NUT
- ⑪ (4) 1.5" SCH 40 GALV. PINS, 84" LENGTH, DRIVEN TO REQUIRED DEPTH
- ⑫ 3/4" GALV. CARRIAGE BOLTS, NUTS AND WASHERS, LENGTH AS REQUIRED
- ⑬ FINISH GRADE

NOTES:

1. UNLESS OTHERWISE SPECIFIED, ALL WOOD TO BE D.F. #2 OR BETTER, PT ACQ/CBA, OR APPROVED EQUAL.
2. UNLESS OTHERWISE SPECIFIED, USE SIMPSON #10x1¹/₂" STRUCTURAL CONNECTOR SCREWS, OR APPROVED EQUAL, FOR SECURING TENSION TIES TO JOISTS.



City of
Bellevue

TITLE:

TRAIL - FOOTBRIDGE/BOARDWALK - WITH PIN PILE FOOTINGS -
KICK RAIL OPTION - PIN PILE TO BOARDWALK CONNECTION

DRAWING #:	PK-TR-10D
SCALE:	N.T.S.
REVISION DATE:	03-2021
DEPARTMENT:	PARKS