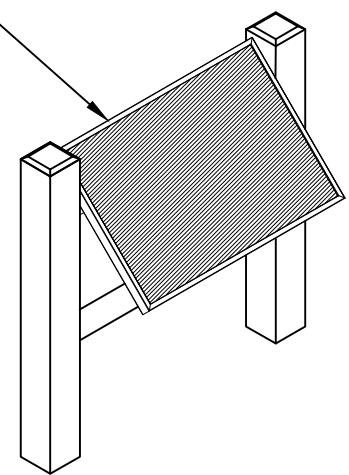
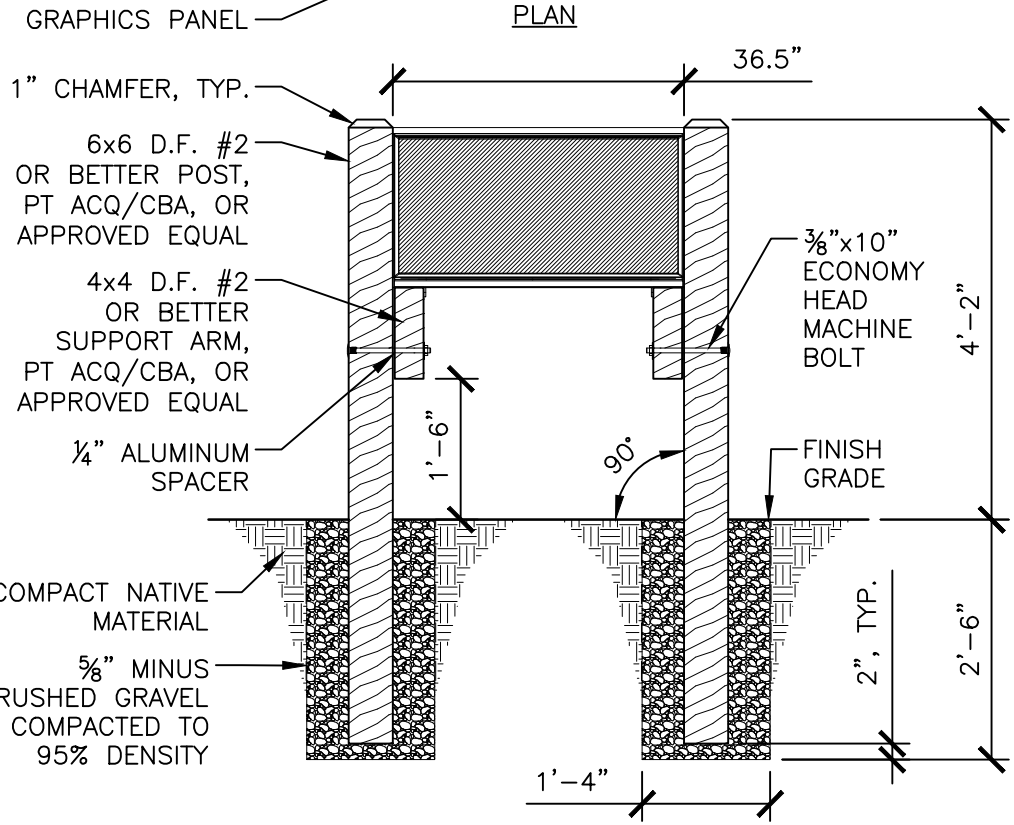


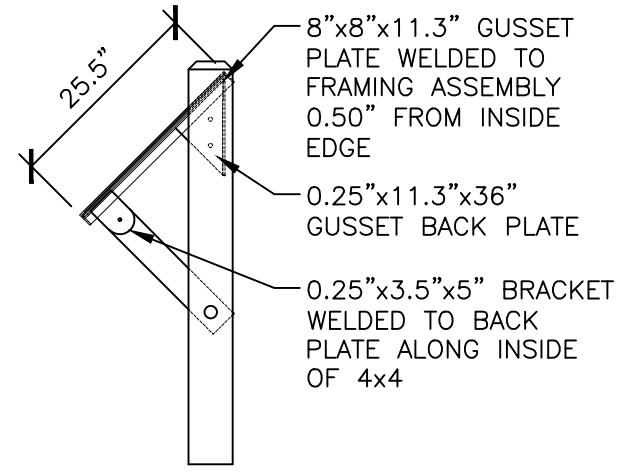
SEA REACH 36.5"x24.5"
F CHANNEL EXTRUSION
AND BACK PLATE ASSEMBLY
(PRODUCT #F63TXN311),
OR APPROVED EQUAL
-PAINT BACK PLATE
FRAME NPS BROWN, TYP.



ISOMETRIC VIEW



ELEVATION



SECTION



City of
Bellevue

TITLE:
SIGN - INTERPRETIVE

DRAWING #:	PK-SI-17
SCALE:	N.T.S.
REVISION DATE:	12-2018
DEPARTMENT:	PARKS