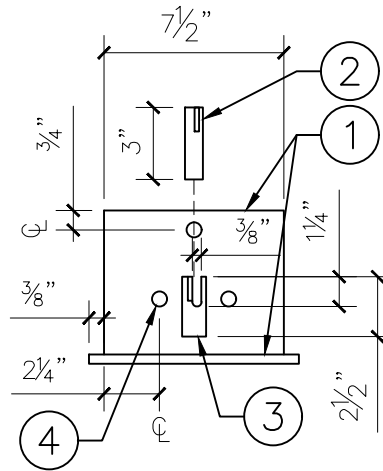
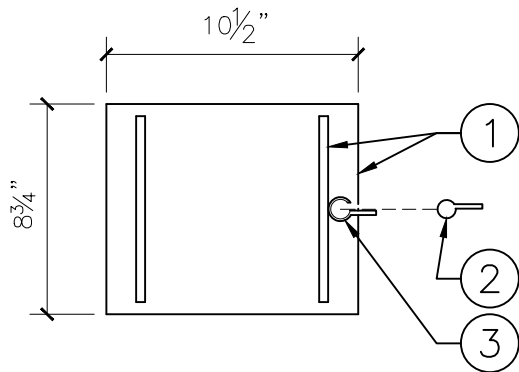


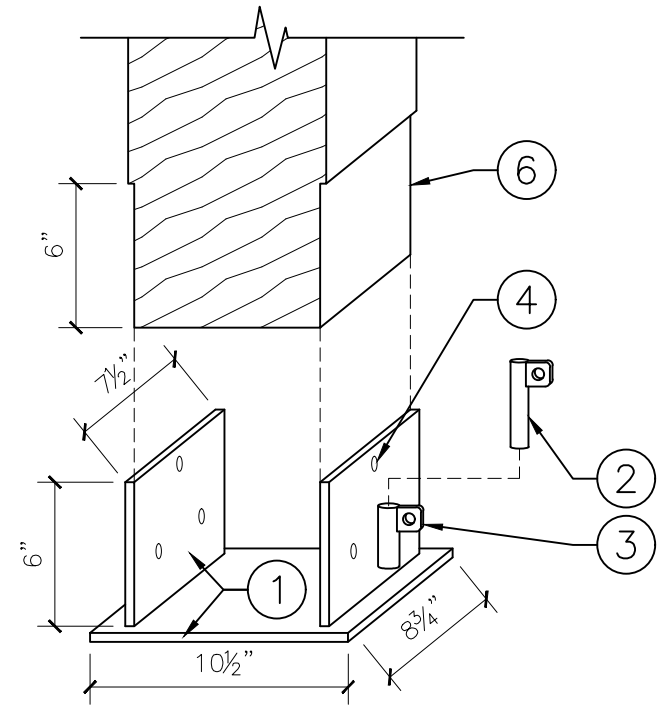
FRONT VIEW



SIDE VIEW



PLAN VIEW



ISOMETRIC VIEW - N.T.S.

- ①  $\frac{3}{8}$ " THICK GALV. STEEL PLATE
- ② REMOVABLE PIN:  $\frac{3}{4}$ " DIA. GALV. STEEL ROD
- ③ PIN RECEIVER: 1" DIA. x  $\frac{1}{8}$ " THICK GALV. STEEL PIPE WITH  $\frac{3}{8}$ " NOTCH TO RECEIVE PIN
- ④ (6)  $\frac{5}{8}$ " DIA. HOLES
- ⑤  $\frac{1}{2}$ " DIA. HOLE TO RECEIVE PAD LOCK
- ⑥ INCISE BOLLARD  $\frac{1}{4}$ " TO FIT INSIDE BRACKET



City of  
Bellevue

TITLE:

**SIGN - DIRECTIONAL BOLLARD - REMOVABLE -  
SLIDE THROUGH BRACKET DETAIL**

DRAWING #:	PK-SI-14B
SCALE:	N.T.S.
REVISION DATE:	12-2018
DEPARTMENT:	PARKS