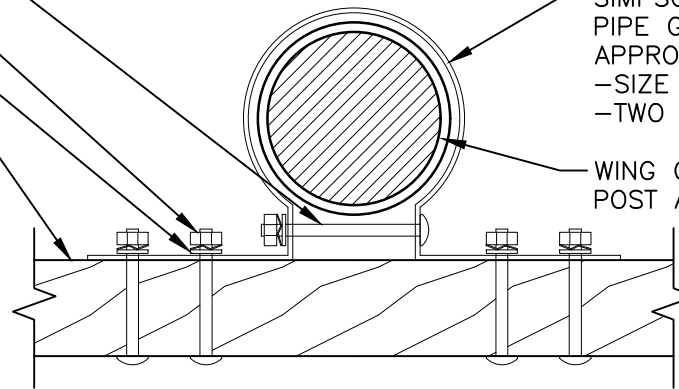
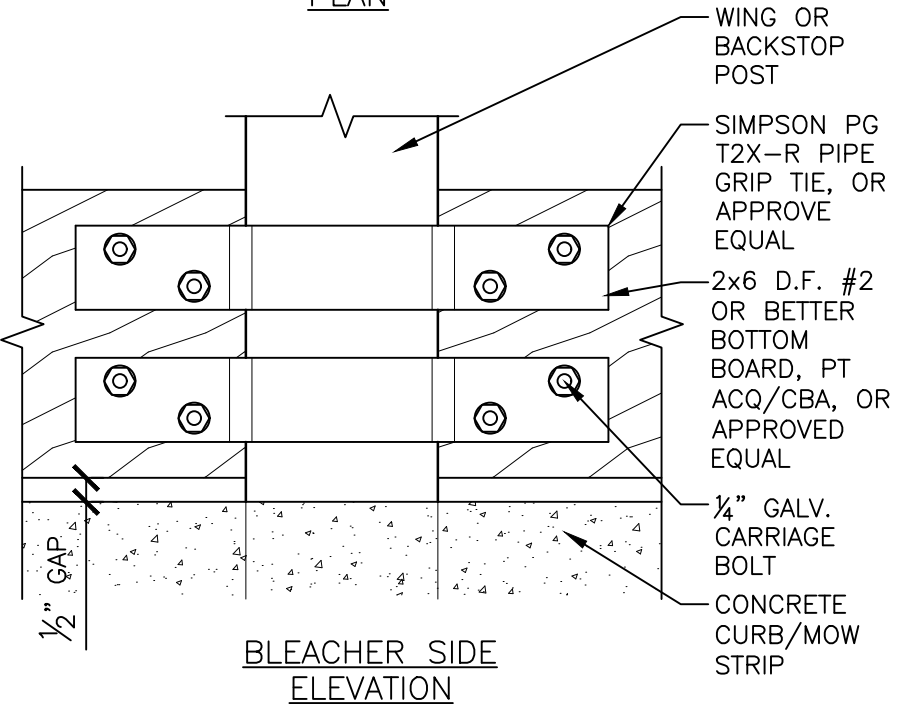
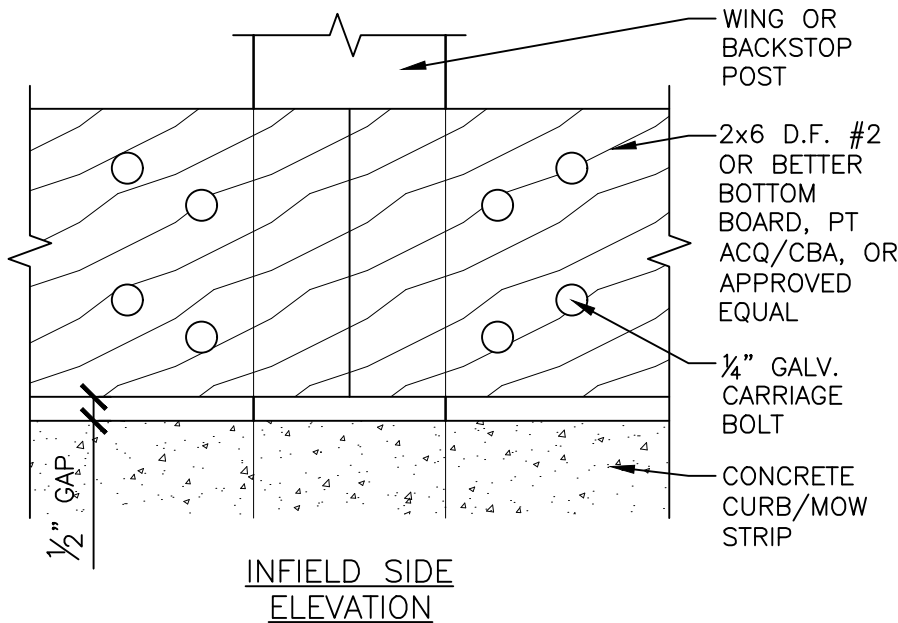


$\frac{1}{4}$ " GALV. CARRIAGE BOLT,
 LENGTH AS REQUIRED
 $\frac{1}{4}$ " GALV. NUT
 $\frac{1}{4}$ " GALV. LOCK WASHER
 2x6 D.F. #2 OR BETTER
 BOTTOM BOARD, PT
 ACQ/CBA, OR APPROVED
 EQUAL

SIMPSON PG T2X-R
 PIPE GRIP TIE, OR
 APPROVED EQUAL
 -SIZE AS REQUIRED
 -TWO PER POST, TYP.
 WING OR BACKSTOP
 POST AS SPECIFIED



PLAN



City of
Bellevue

TITLE:

FENCE - BALL CONTROL - BASEBALL/SOFTBALL -
BOTTOM BOARD CONNECTION

DRAWING #:	PK-FE-07N
SCALE:	N.T.S.
REVISION DATE:	12-2018
DEPARTMENT:	PARKS