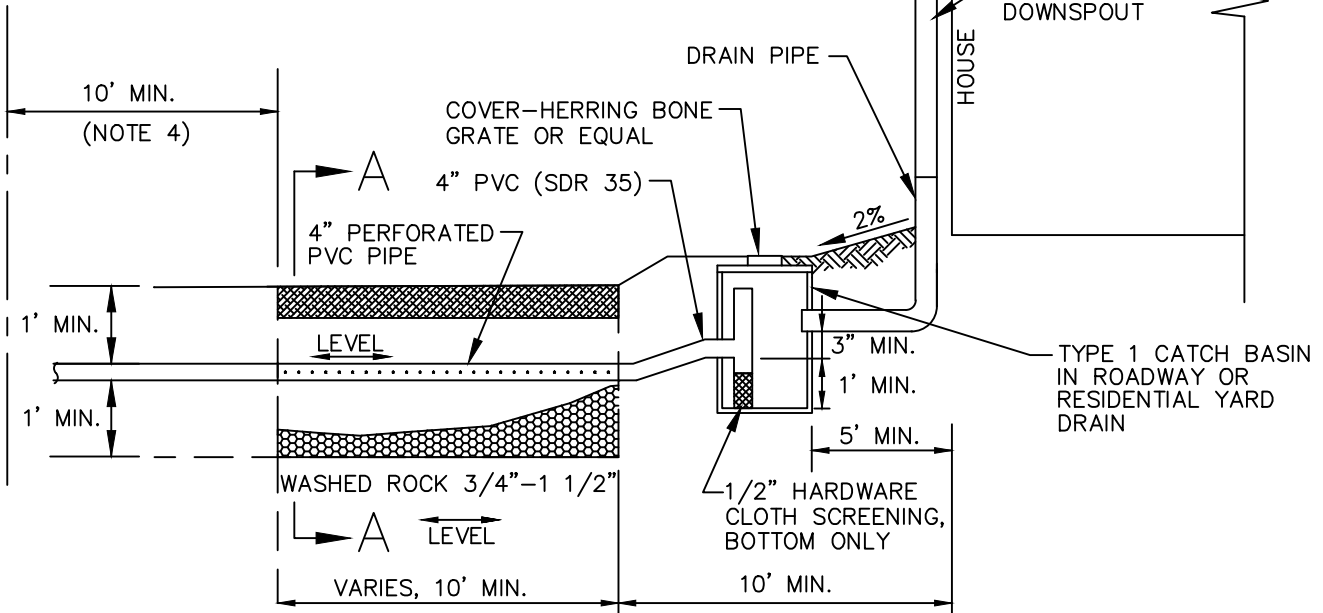
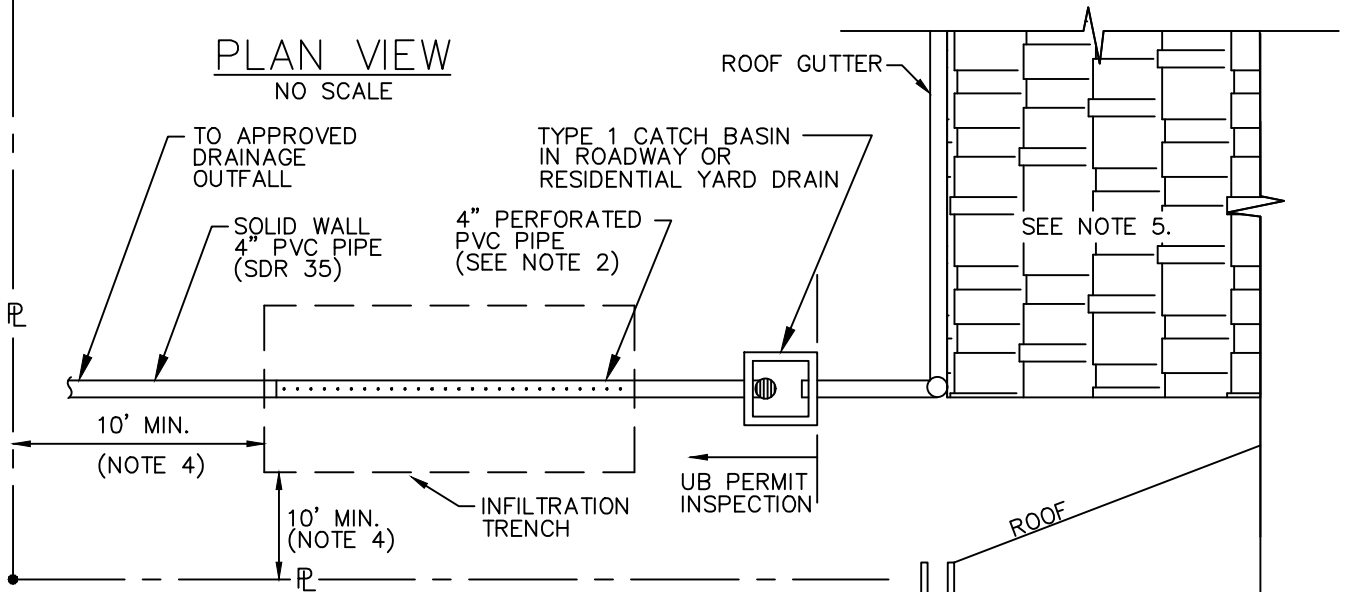


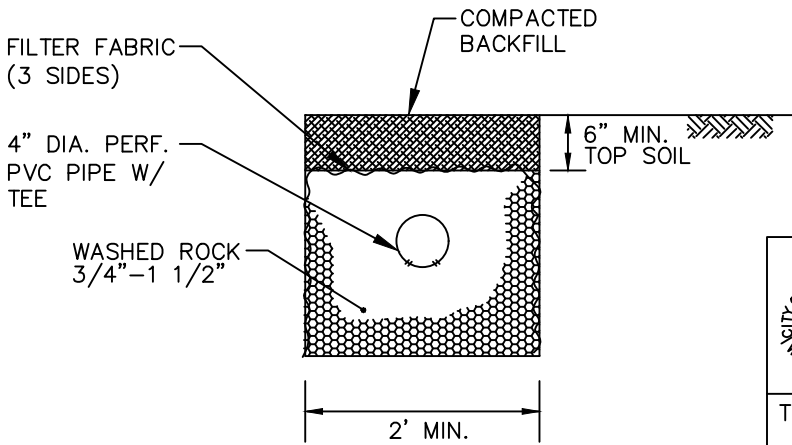
PLAN VIEW

NO SCALE



PROFILE VIEW

NO SCALE



SECTION A-A

NO SCALE

NOTES:

1. TRENCH SHALL NOT BE LOCATED WITHIN 100' OF A WELL OR 30' FROM ANY PART OF A SEPTIC SYSTEM.
2. CENTER PERF. PIPE HORIZONTALLY IN TRENCH.
3. NOT TO BE USED IN CRITICAL AREA BUFFERS OR STEEP SLOPES > 25%.
4. DIMENSION VARIES PER SETBACK REQUIREMENTS.
5. MAXIMUM 5,000 SF. ROOF AREA PER 10' OF PERFORATED PIPE



City of Bellevue

STORM AND SURFACE WATER UTILITY

TITLE

RESIDENTIAL ROOF DOWNSPOUT PERFORATED PIPE CONNECTION