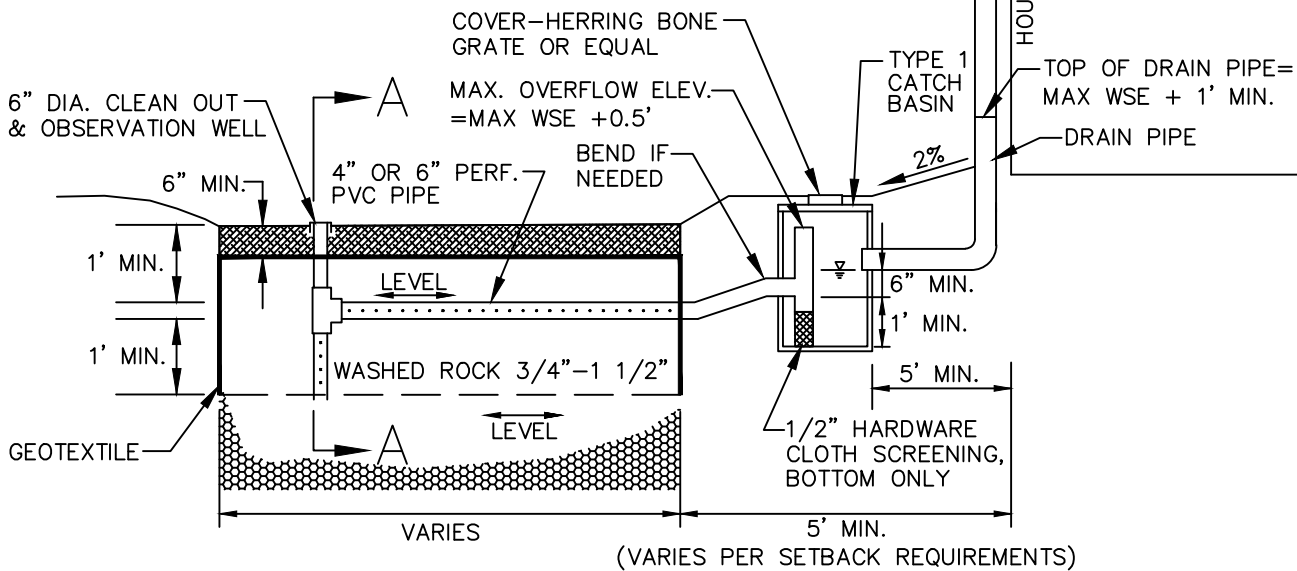
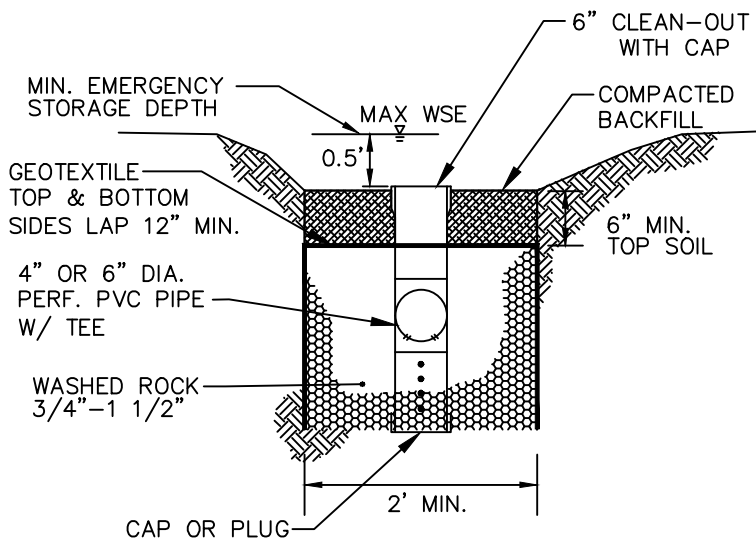


**PLAN VIEW**  
NO SCALE



**PROFILE VIEW**  
NO SCALE



**SECTION A-A**  
NO SCALE

**NOTES:**

1. TRENCH SHALL NOT BE LOCATED WITHIN 100' OF A WELL OR 30' FROM ANY PART OF A SEPTIC SYSTEM.
2. CENTER PERF. PIPE HORIZONTALLY IN TRENCH.
3. REMOVE SEDIMENT AND FLOATABLES FROM TYPE 1 CATCH BASIN AT LEAST ANNUALLY.



City of  
Bellevue

STORM AND SURFACE  
WATER UTILITY

TITLE

ROOF DOWNSPOUT  
INFILTRATION TRENCH