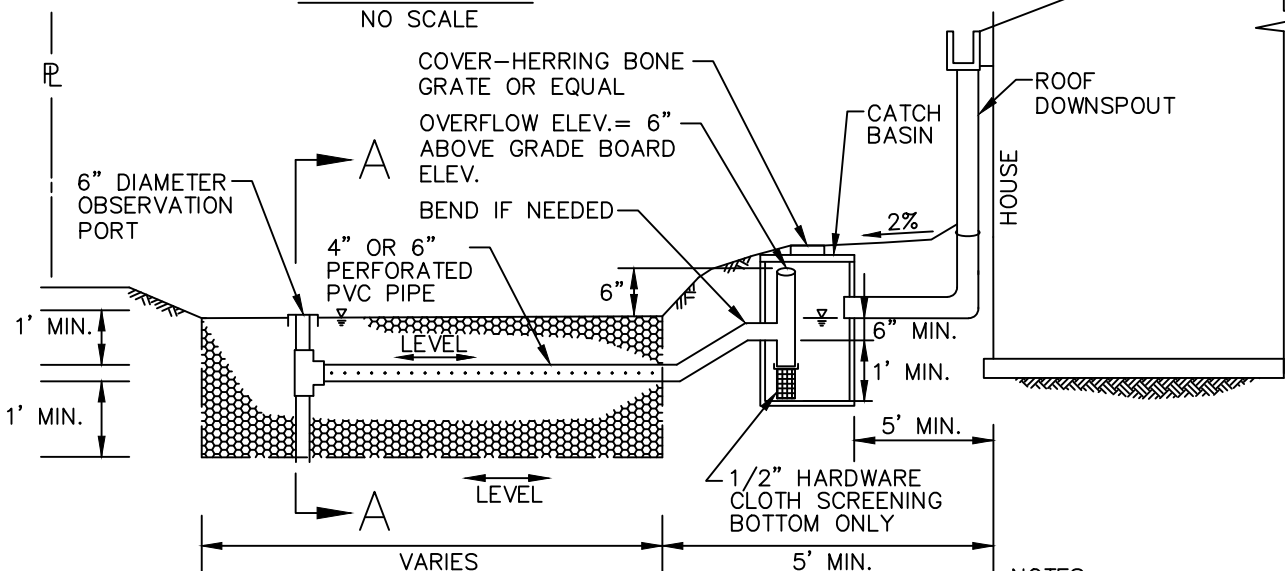
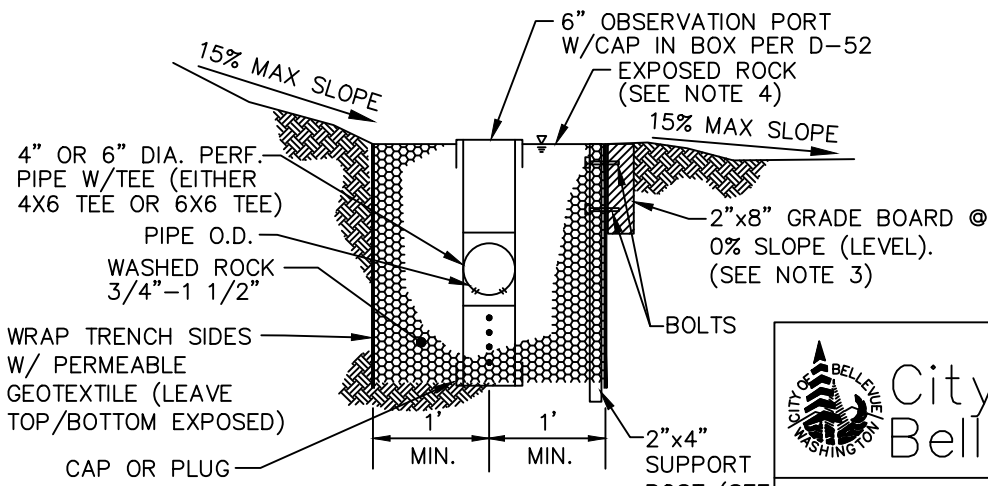


PLAN VIEW
NO SCALE



PROFILE VIEW
NO SCALE

- NOTES:**
1. TRENCH SHALL NOT BE LOCATED WITHIN 100' OF A WELL OR 10' FROM ANY PART OF A SEPTIC SYSTEM.
 2. TRENCH SHALL BE CONSTRUCTED SO AS TO PREVENT CONCENTRATED DISCHARGE AND/OR EROSION.
 3. GRADE BOARD & SUPPORT CEDAR OR RECYCLED PLASTIC (UNTREATED). SPACE SUPPORT POSTS EVERY 10' MIN. TO KEEP GRADE BOARD LEVEL.
 4. LEAVE ROCK PERMANENTLY EXPOSED. DO NOT COVER.



SECTION A-A
NO SCALE

City of Bellevue

STORM AND SURFACE WATER UTILITY

TITLE

ROOF DOWNSPOUT DISPERSAL TRENCH

NO. NDP-22