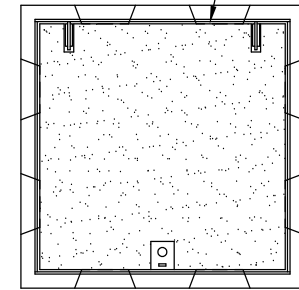
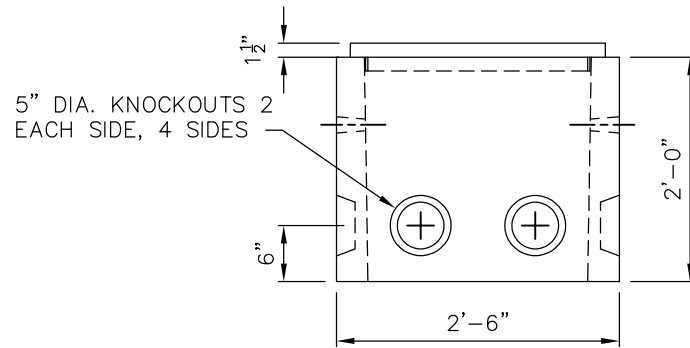


**PLAN VIEW**  
COVER NOT SHOWN

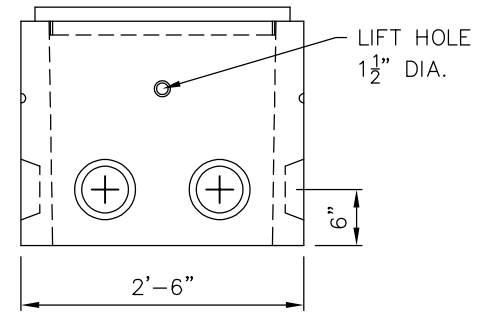
NON-SKID SURFACE  
GALVANIZED STEEL PLATE  
W/ BOLT-DOWN LOCKING



**PLAN VIEW**  
SHOWN WITH COVER



**FRONT VIEW**



**SIDE VIEW**



City of  
Bellevue

LARGE COMMUNICATION JUNCTION BOX DETAIL

DRAWING NUMBER	SL-181-1
SCALE	NONE
REVISION DATE	11/19
DEPARTMENT	TRANS