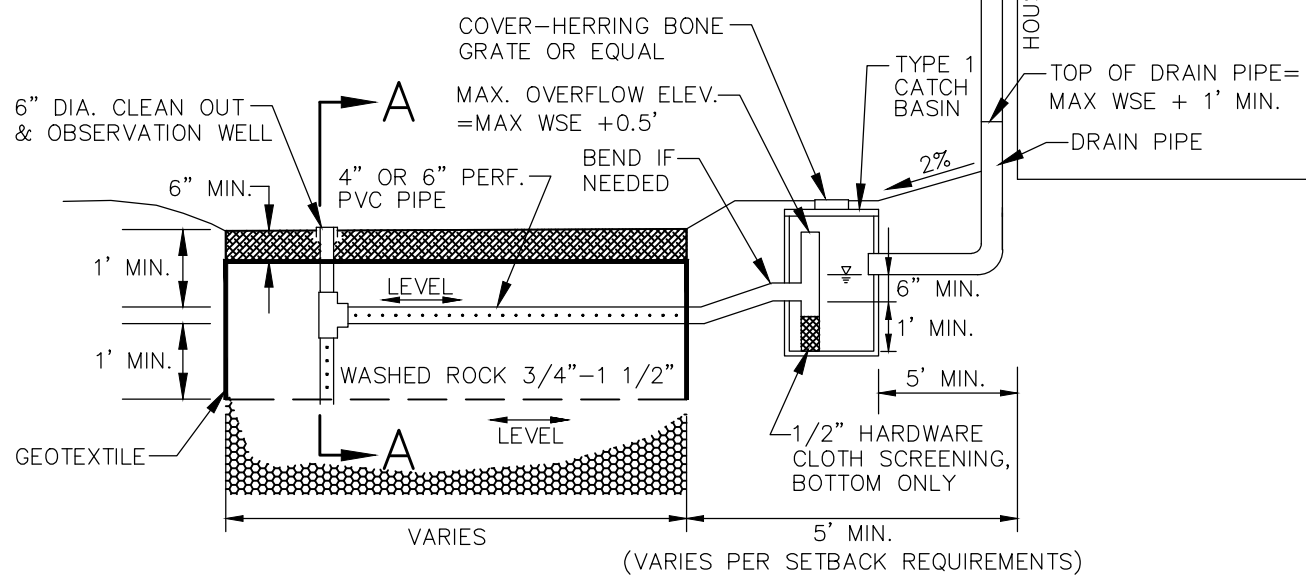
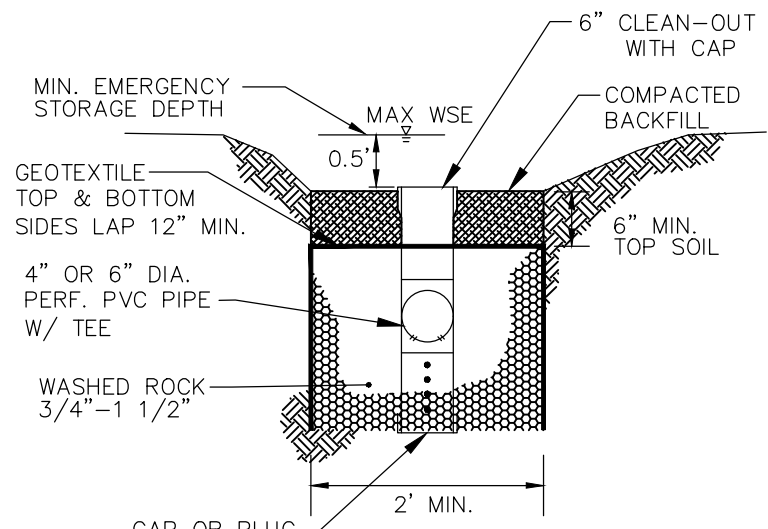


**PLAN VIEW**  
NO SCALE



**PROFILE VIEW**  
NO SCALE



**SECTION A-A**  
NO SCALE

- NOTES:**
1. TRENCH SHALL NOT BE LOCATED WITHIN 100' OF A WELL OR 30' FROM ANY PART OF A SEPTIC SYSTEM.
  2. CENTER PERF. PIPE HORIZONTALLY IN TRENCH.
  3. REMOVE SEDIMENT AND FLOATABLES FROM TYPE 1 CATCH BASIN AT LEAST ANNUALLY.

**City of Bellevue** STORM AND SURFACE WATER UTILITY

TITLE

**ROOF DOWNSPOUT INFILTRATION TRENCH**

NO. NDP-23