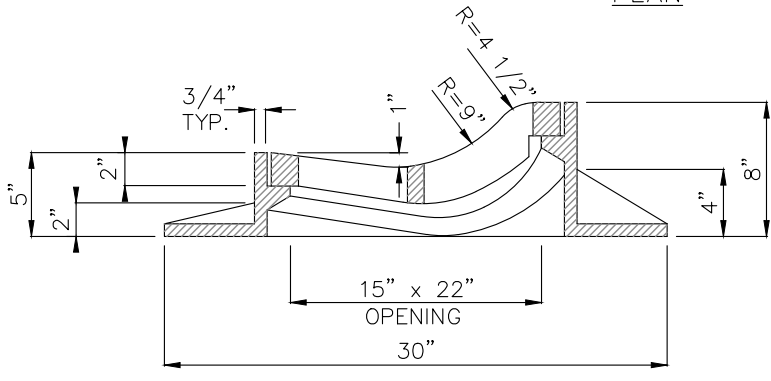
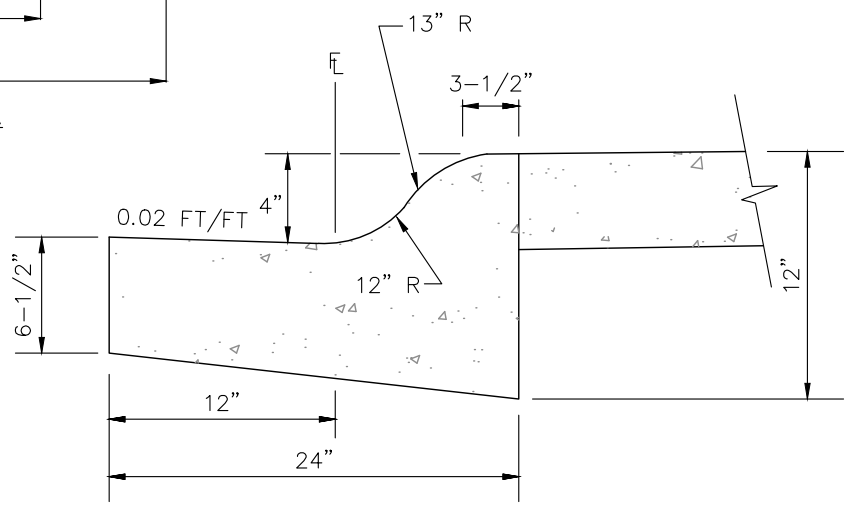


PLAN




SECTION A-A



ROLLED CURB

NOTES:

1. FRAME MATERIAL IS CAST IRON ASTM A48 CLASS 30.

	<h1>City of Bellevue</h1>	<p>STORM AND SURFACE WATER UTILITY</p>
	<p>TITLE</p> <p style="text-align: center;">FRAME &amp; GRATE FOR EXISTING ROLLED CURB</p>	