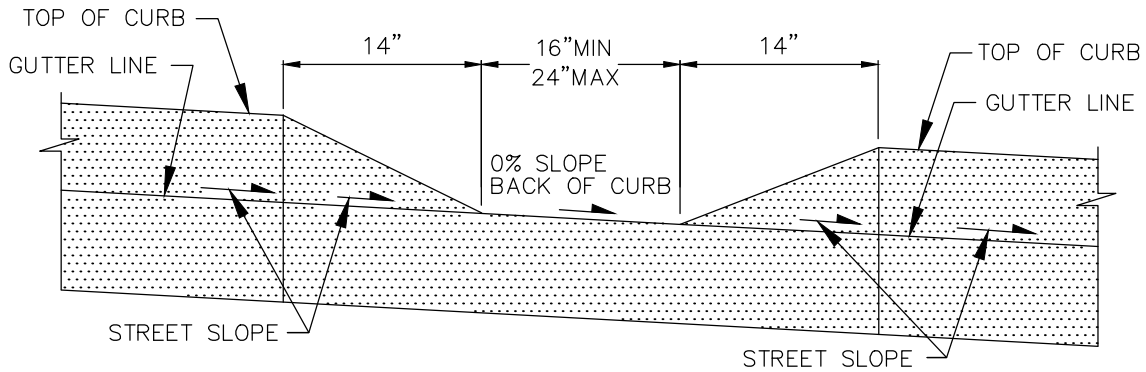
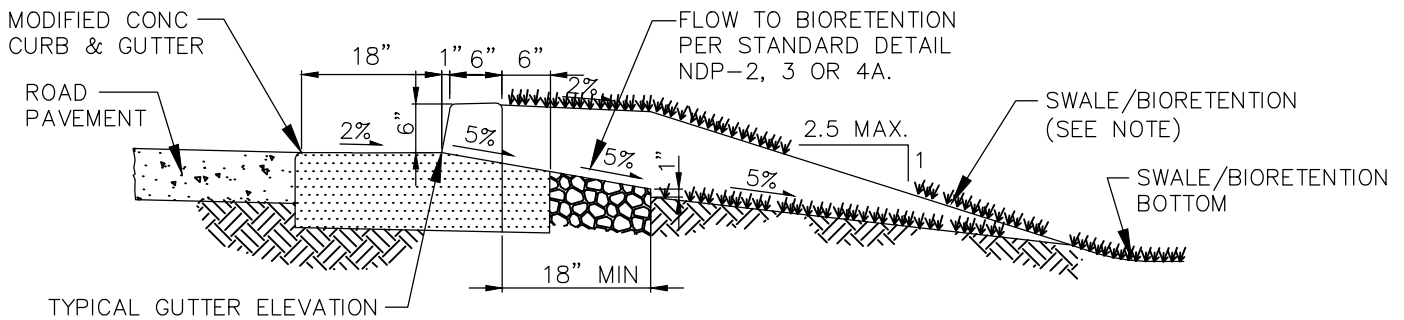


**SECTION A-A**



**SECTION B-B**



**NOTE:**

MODIFY INLET TO BIORETENTION PLANTER AS NEEDED TO PREVENT EROSION. THE STREAMBED COBBLES ARE OPTIONAL UNLESS REQUIRED BY THE UTILITY REVIEWER OR THE ENGINEER.



**City of Bellevue**

STORM AND SURFACE WATER UTILITY

TITLE

**DRAIN CURB CUT OPENING FOR BIORETENTION**