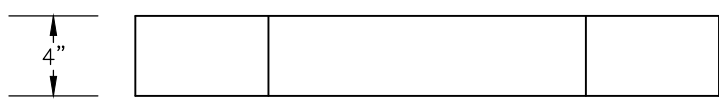
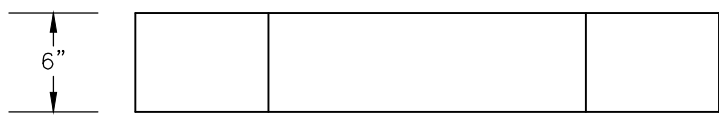
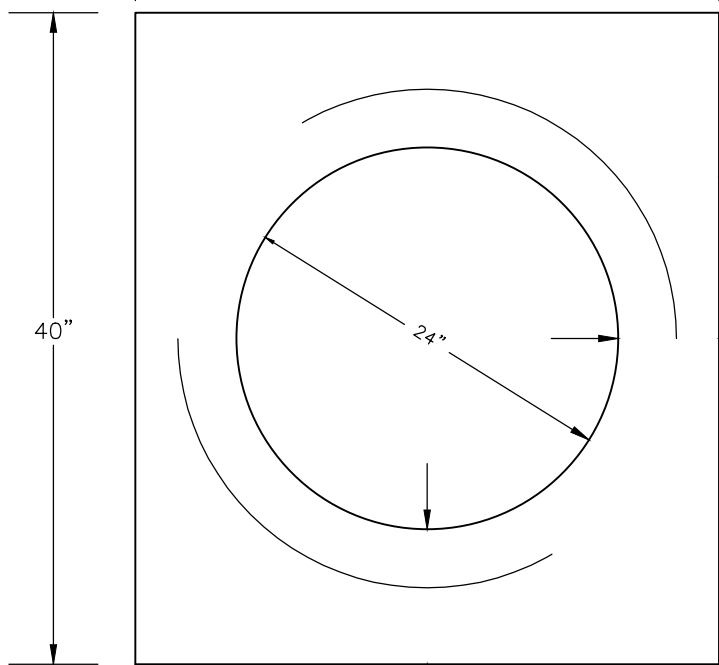
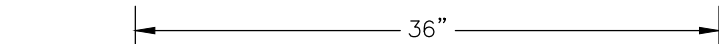


STEEL REINFORCEMENT
PER MANUFACTURER



SECTION



MODIFIED TYPE 1L
CATCH BASIN
REDUCING SECTION

6" TYP.

8" TYP.

PLAN

NOTES:

1. ITEMS SHOWN SHALL BE PRE-CAST,
2. APPLY NON-SHRINK GROUT TO INSIDE AND OUTSIDE OF ALL JOINTS, RISERS, RINGS AND FRAMES.



City of
Bellevue

STORM AND SURFACE
WATER UTILITY

TITLE

CONVERSION RISER FOR
CATCH BASIN TYPE 1-L