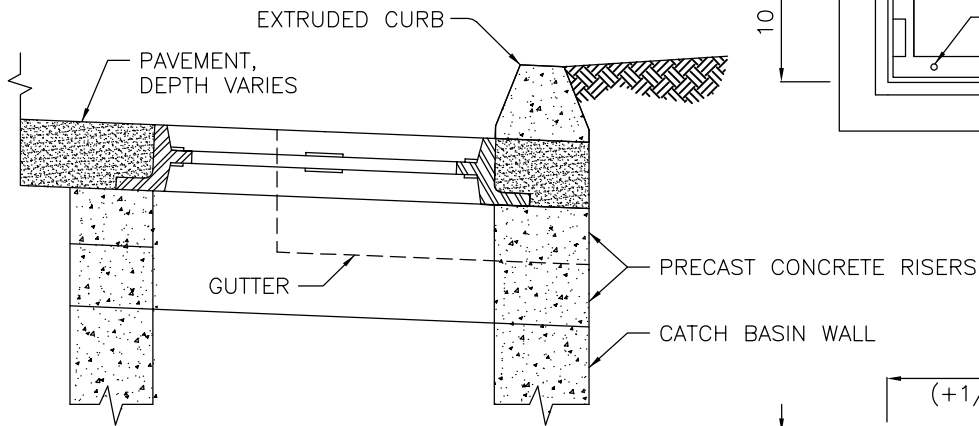
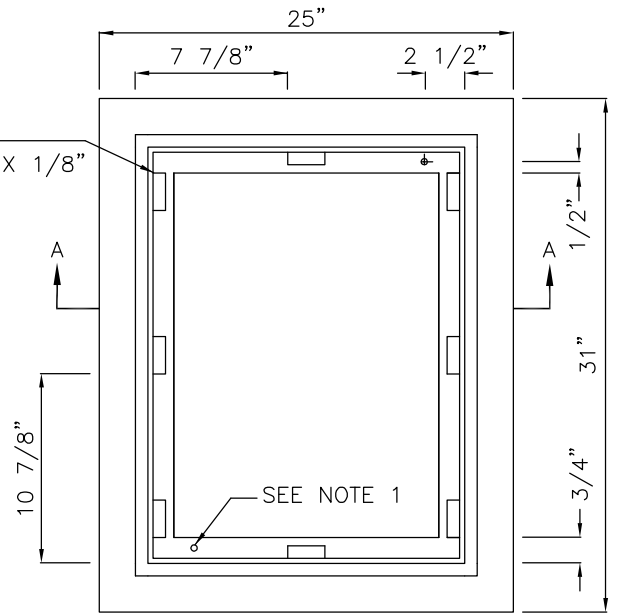


VERTICAL CURB

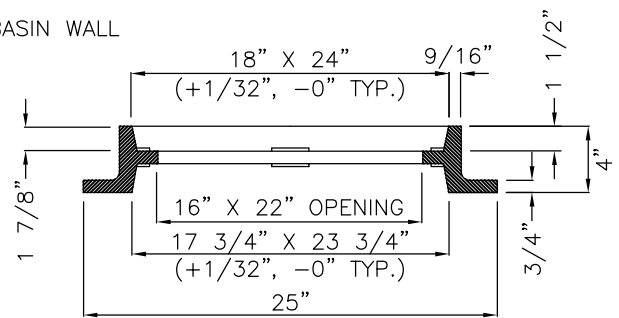


EXTRUDED CURB

LEVEL PAD 16  
3/4" X 2 1/4" X 1/8"



PLAN



SECTION A-A

NOTES:

1. DRILL AND TAP FOR, AND PROVIDE, TWO LOCKING BOLTS 5/8"-11 NC STAINLESS TYPE 304 STEEL SOCKET HEAD (ALLEN HEAD) BOLTS, 2" LONG.
2. FRAME MATERIAL IS CAST IRON PER ASTM A48 CLASS 30 OR BETTER.
3. SET FRAME TO GRADE AND CONSTRUCT ROAD AND GUTTER TO BE FLUSH WITH FRAME.
4. MATCH CENTERLINE OF CATCH BASIN TO CURB LINE FOR TYPE 1 AND 1-L.



City of  
Bellevue

STORM AND SURFACE  
WATER UTILITY

TITLE

STANDARD FRAME INSTALLATION