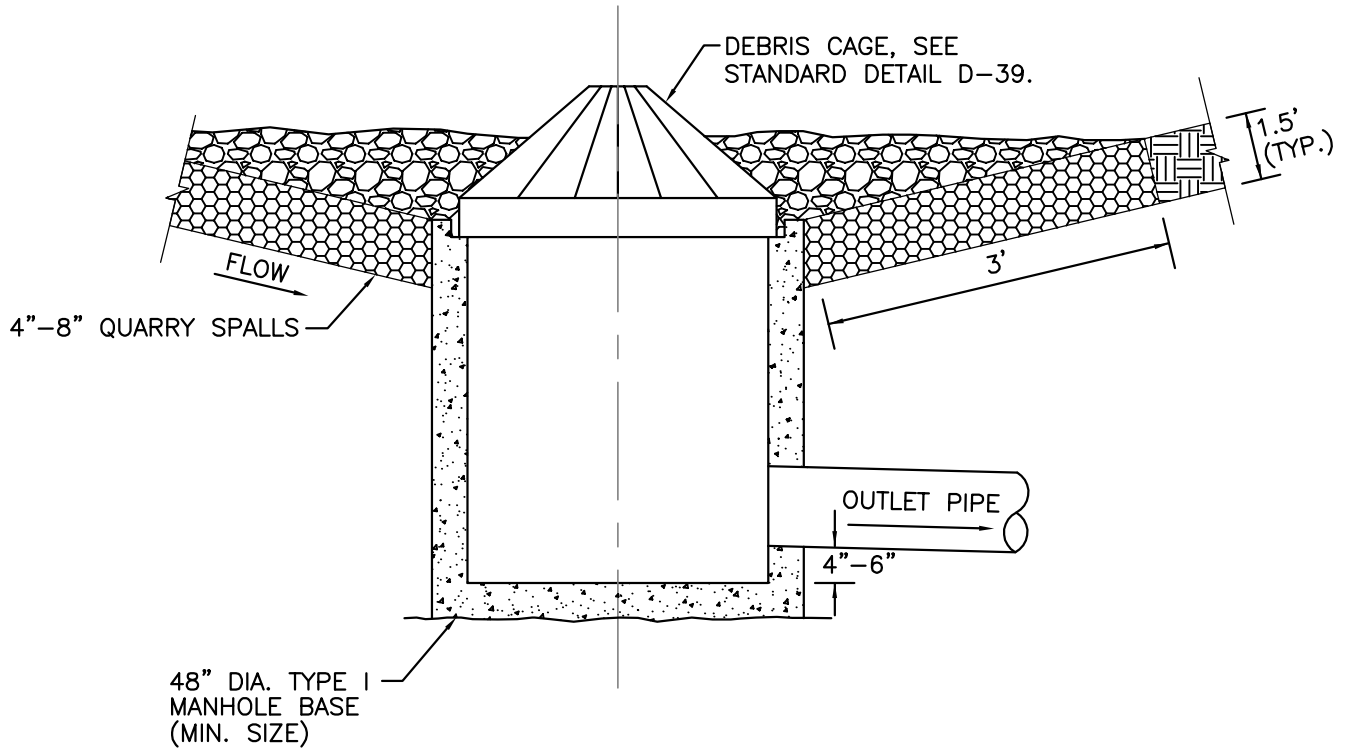
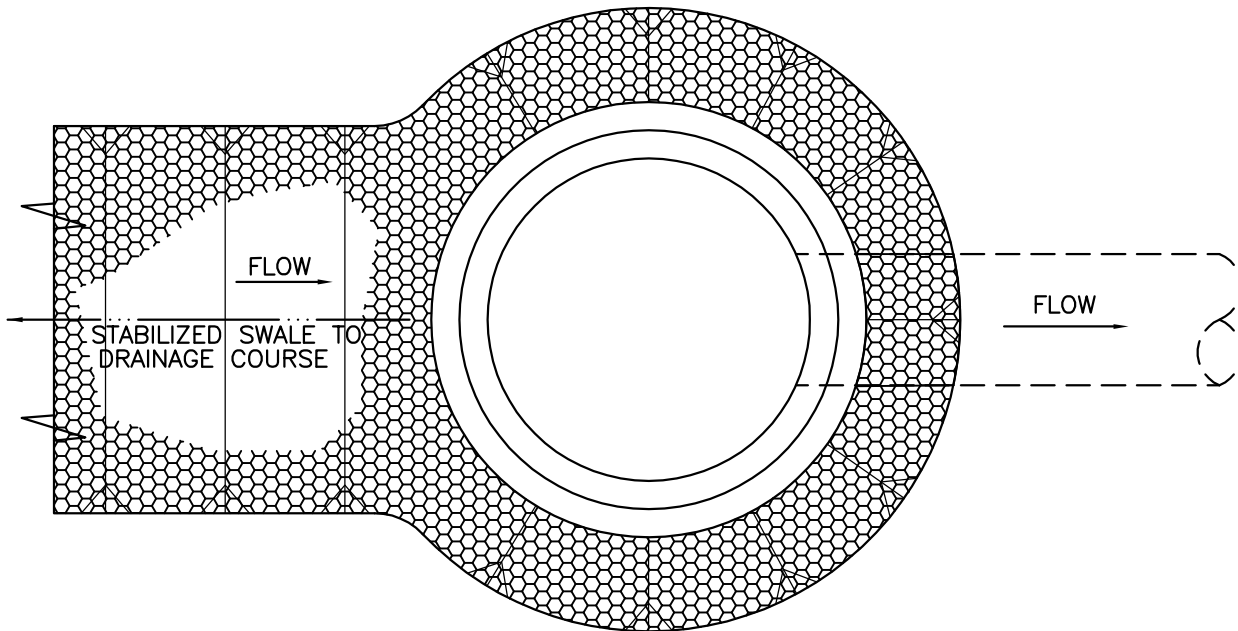


ELEVATION



PLAN



City of  
Bellevue

STORM AND SURFACE  
WATER UTILITY

TITLE

BIRD CAGE TRASH  
RACK STRUCTURE