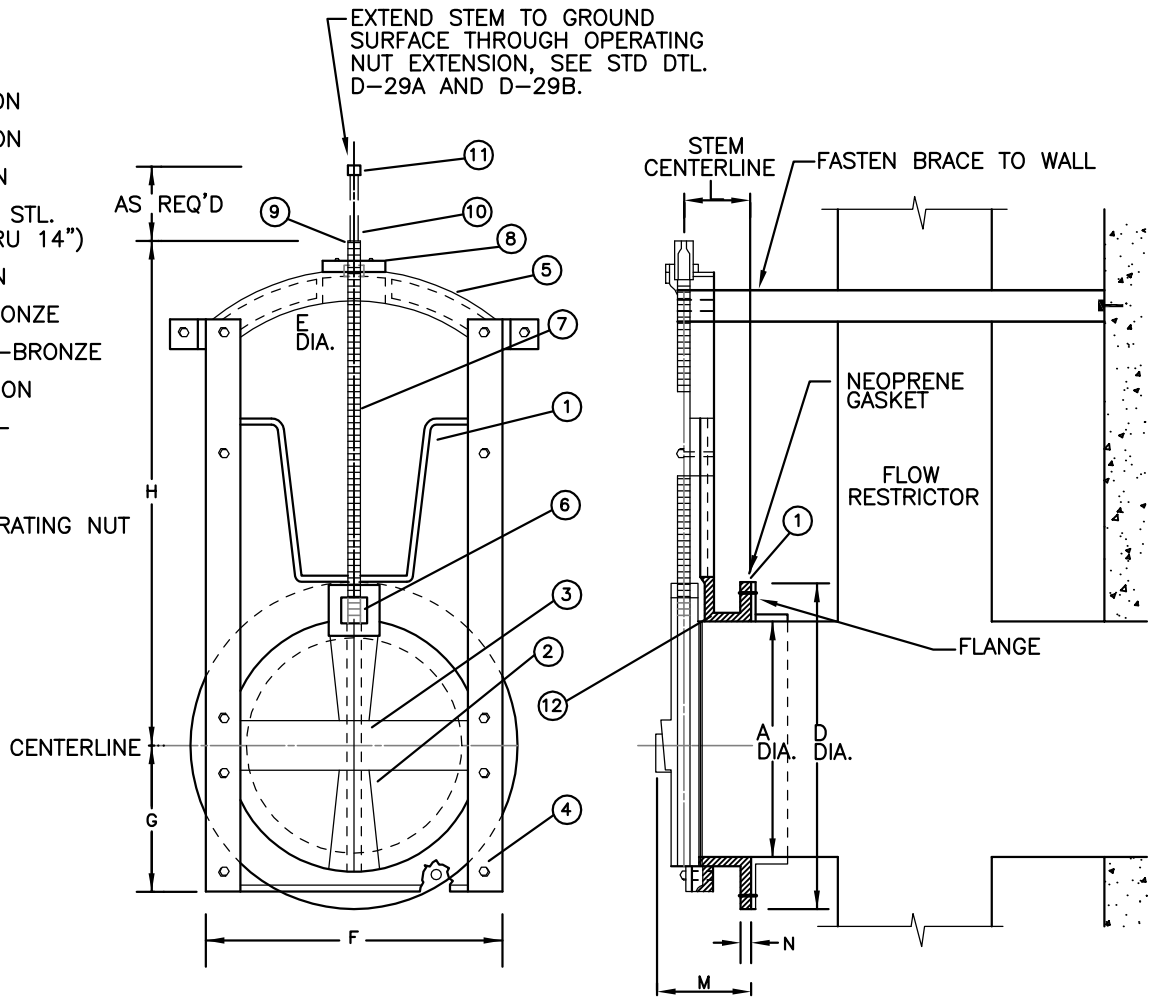


- 1 FRAME—CAST IRON
- 2 COVER—CAST IRON
- 3 ARCH—CAST IRON
- 4 RAILS—304 STN. STL.
(CAST IRON, THRU 14")
- 5 YOKE—CAST IRON
- 6 THRUST NUT—BRONZE
- 7 THREADED STEM—BRONZE
- 8 COLLAR—CAST IRON
- 9 STEM EXT BRKT—
- 10 STEEL EXT STEM
MATL. AS REQ'D.
- 11 2" SQUARE OPERATING NUT
- 12 BRONZE SEAT



	A	BC	D	E	F	G	H	K	L	M	N	P	R	S
DIMENSIONS (IN INCHES)	8	11 3/4	13 1/2	7/8	11 1/8	5 1/2	17 5/8	10	4 1/2	7	3/4	7/8	3/4	8
	12	17	19	7/8	15 5/8	8	24 1/4	12	4 1/2	7 1/2	1	1	7/8	12

NOTES:

1. FOR OUTLET PIPE DIAMETERS OF 12 INCHES OR LESS, USE 8 INCH SHEAR GATE, GREATER THAN 12 INCHES, USE 12 INCH SHEAR GATE.
2. AWWA C509 RESILIENT SEATED GATE VALVE MAY BE SUBSTITUTED FOR GATE PER ENGINEER'S APPROVAL.



City of
Bellevue

STORM AND SURFACE
WATER UTILITY

TITLE

SCREW-TYPE
SHEAR GATE